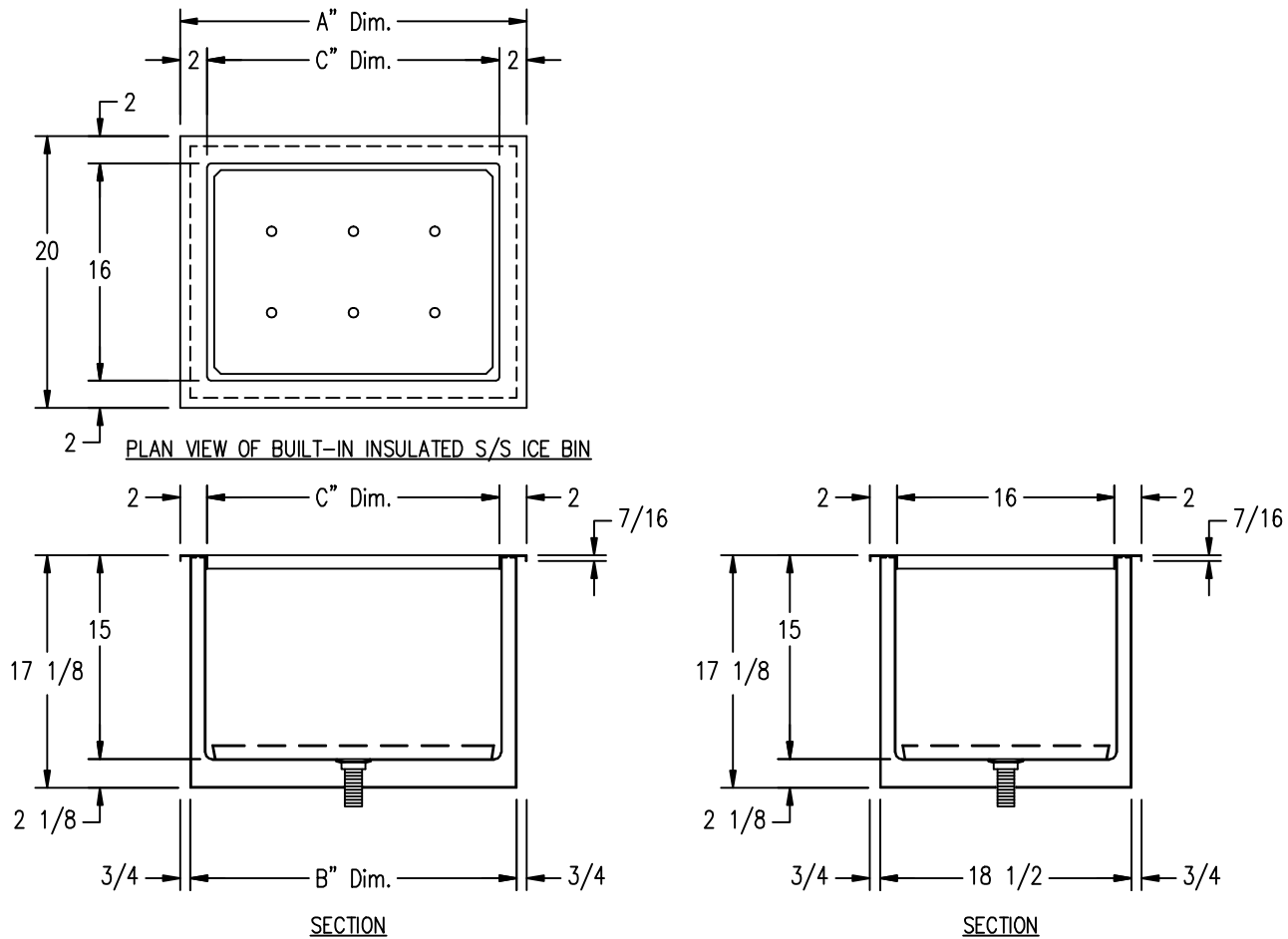


# AARON MANUFACTURING INC.

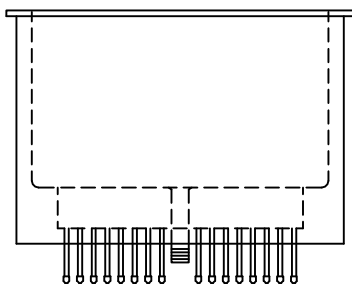
## DROP-IN INSULATED ICE BIN MODEL # AIB SERIES

DATE: 8-17-04

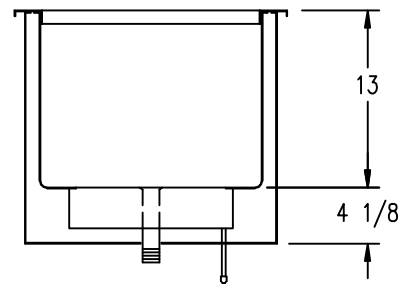


MODEL # AIB-SERIES DROP-IN ICE BIN SPECIFICATIONS											
	A" Dim.		B" Dim.		C" Dim.		weight		model #	cut-out required	
	in.	mm	in.	mm	in.	mm	lbs.	kg.		in.	mm
	20"	508	18 1/2"	470	16"	406	45	20.4	AIB-1818	18 3/4" x 18 3/4"	476 x 476
	26"	660	24 1/2"	622	22"	559	70	31.8	AIB-1824	18 3/4" x 24 3/4"	476 x 629
	32"	813	30 1/2"	775	28"	711	95	43.1	AIB-1830	18 3/4" x 30 3/4"	476 x 781
	38"	965	36 1/2"	927	34"	864	120	54.4	AIB-1836	18 3/4" x 36 3/4"	476 x 933

NOTE: EIGHT CIRCUIT COLD PLATE- ADD 45 # TO WEIGHT OF ICE BIN



NOTE:  
ICE BIN IS 13" DEEP IN ORDER TO  
ACCOMMODATE A SEALED-N EIGHT  
CIRCUIT COLD PLATE AT THE INSIDE  
BOTTOM OF THE ICE BIN.



EIGHT CIRCUIT COLD PLATE (OPTIONAL)

**AARON MANUFACTURING INC.**