

AARON MANUFACTURING INC.

**OPEN CABINETS
(UNFINISHED TOPS)
MODEL # ACO SERIES**

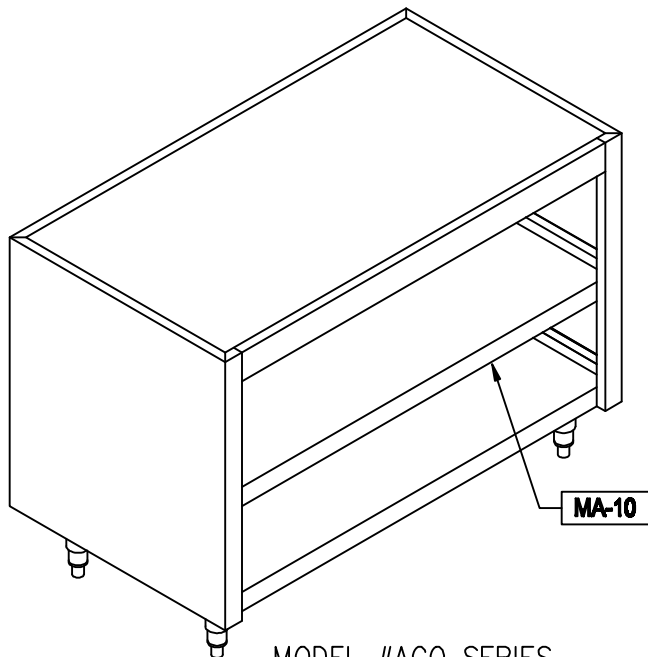
DATE: 8-17-04

STANDARD FEATURES

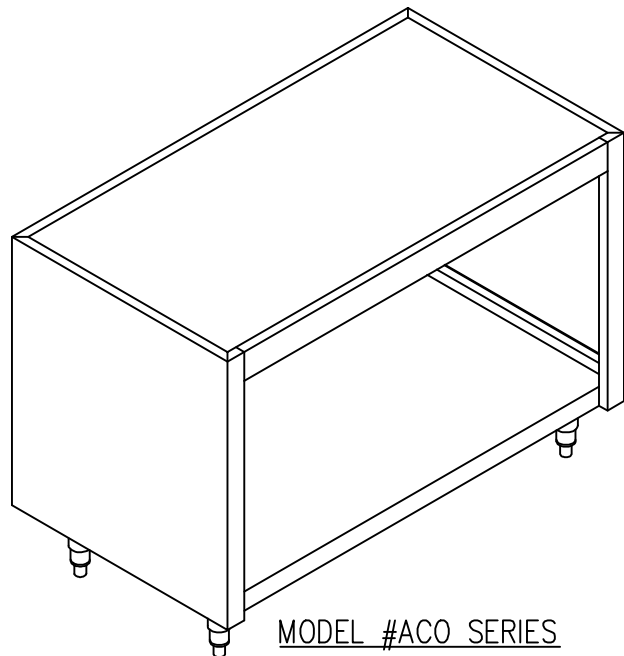
SPECIFICATION: Cabinet and shelving constructed of 18 gauge stainless steel, with 14 gauge steel channel reinforcement. 18 gauge stainless steel #2b finish at cabinet tops. All cabinet interiors are sealed with clear silicone. All fabrication per N.S.F. #2 standards. Contact Aaron Bid Department for specific pricing for modified units and accessories.

CABINET APPLICATION IS FOR DIFFERENT TYPES OF COUNTER TOPS, AND FOR INSTALLATION INTO EXISTING OR NEW COUNTER SET-UPS THAT ARE SUPPLIED BY OTHERS.

JOB NAME :	_____
LOCATION :	_____
ITEM #	_____
MODEL #	_____
QUANTITY :	_____



MODEL #ACO SERIES
OPEN CABINET WITH BOTTOM
AND INTERMEDAITE SHELVING
(UNFINISHED TOP)



MODEL #ACO SERIES
OPEN CABINET
(UNFINISHED TOP)

OPTIONS AND ACCESSORIES

MODEL #	DESCRIPTION
<input type="checkbox"/> ACD	CABINET WITH S/S HINGED DOORS (UNFINISHED TOP)
<input type="checkbox"/> ACS	CABINET WITH S/S SLIDING DOORS (UNFINISHED TOP)
<input type="checkbox"/> ACO	OPEN CABINET (UNFINISHED TOP)
<input type="checkbox"/> ACD-P	PASS THRU CABINET WITH S/S HINGED DOORS (UNFINISHED TOP)
<input type="checkbox"/> ACS-P	PASS THRU CABINET WITH S/S SLIDING DOORS (UNFINISHED TOP)
<input type="checkbox"/> ACO-P	PASS THRU OPEN CABINET (UNFINISHED TOP)
<input type="checkbox"/> MA-1	CUSTOM TABLE TOP
<input type="checkbox"/> MA-2	MARINE DECK
<input type="checkbox"/> MA-6	6" HIGH LEG ASSEMBLY
<input type="checkbox"/> MA-7	S/S FLANGED FEET- <input type="checkbox"/> WITH HOLES <input type="checkbox"/> WITHOUT
<input type="checkbox"/> MA-10	INTERMEDIATE SHELF
<input type="checkbox"/> MA-31	CYLINDER LOCK (WITH LOCKING LATCH FOR MUTI-DOORS)

AARON MANUFACTURING INC.

324 S. DIAMOND BAR BLVD., SUITE 879, DIAMOND BAR, CA 91765 * (877) 202-2766 * FAX (800) 498-6655

A.13