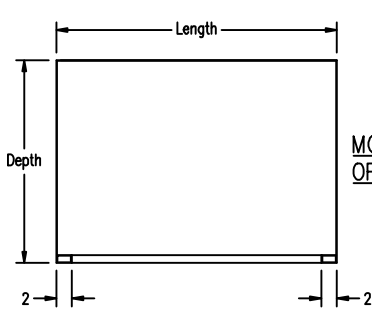


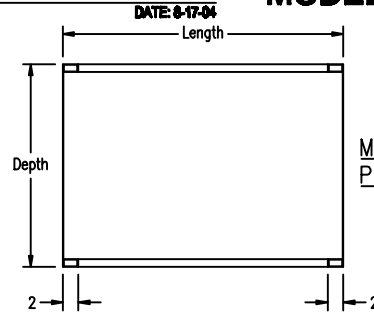
# AARON MANUFACTURING INC.

## OPEN CABINETS (UNFINISHED TOPS) MODEL # ACO SERIES



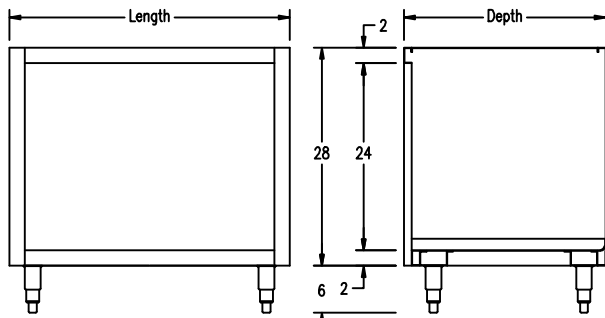
MODEL #ACO SERIES  
OPEN CABINET

PLAN VIEW



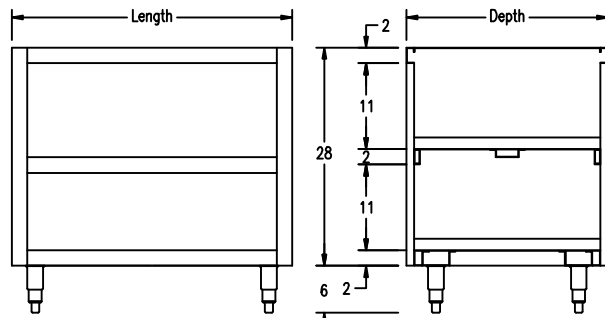
MODEL #ACO-P SERIES  
PASS THRU OPEN CABINET

PLAN VIEW



FRONT ELEVATION VIEW

SECTION



FRONT ELEVATION VIEW

OPTIONAL INTERMEDIATE SHELVING

SECTION

OPTIONAL INTERMEDIATE SHELVING

MODEL # ACO SERIES SPECIFICATIONS							
	depth x length		# of legs	weight		model # open cabinet	model # pass thru cabinet
	in.	mm		lbs.	kg.		
	20"x 24"	508 x 610	4	75	34.1	ACO-2024	ACO-P-2024
	20"x 30"	508 x 762	4	95	43.1	ACO-2030	ACO-P-2030
	20"x 36"	508 x 914	4	115	52.2	ACO-2036	ACO-P-2036
	20"x 42"	508 x 1067	4	135	61.3	ACO-2042	ACO-P-2042
	20"x 48"	508 x 1219	4	155	70.4	ACO-2048	ACO-P-2048
	20"x 60"	508 x 1524	4	175	79.5	ACO-2060	ACO-P-2060
	20"x 72"	508 x 1829	4	195	88.5	ACO-2072	ACO-P-2072
	20"x 84"	508 x 2134	6	220	99.9	ACO-2084	ACO-P-2084
	20"x 96"	508 x 2438	6	240	109.0	ACO-2096	ACO-P-2096
	20"x 108"	508 x 2743	6	260	118.0	ACO-20108	ACO-P-20108
	20"x 120"	508 x 3048	6	280	127.1	ACO-20120	ACO-P-20120
	26"x 30"	660 x 762	4	100	45.4	ACO-2630	ACO-P-2630
	26"x 36"	660 x 914	4	120	54.5	ACO-2636	ACO-P-2636
	26"x 48"	660 x 1219	4	160	72.6	ACO-2648	ACO-P-2648
	26"x 60"	660 x 1524	4	180	81.7	ACO-2660	ACO-P-2660
	26"x 72"	660 x 1829	4	205	93.1	ACO-2672	ACO-P-2672
	26"x 84"	660 x 2134	6	225	102.2	ACO-2684	ACO-P-2684
	26"x 96"	660 x 2438	6	245	111.2	ACO-2696	ACO-P-2696
	26"x 108"	660 x 2743	6	265	120.3	ACO-26108	ACO-P-26108
	26"x 120"	660 x 3048	6	285	129.4	ACO-26120	ACO-P-26120
	32"x 36"	813 x 914	4	145	65.8	ACO-3236	ACO-P-3236
	32"x 48"	813 x 1219	4	165	74.9	ACO-3248	ACO-P-3248
	32"x 60"	813 x 1524	4	185	84.0	ACO-3260	ACO-P-3260
	32"x 72"	813 x 1829	4	210	95.3	ACO-3272	ACO-P-3272
	32"x 84"	813 x 2134	6	230	104.4	ACO-3284	ACO-P-3284
	32"x 96"	813 x 2438	6	250	113.5	ACO-3296	ACO-P-3296
	32"x 108"	813 x 2743	6	270	122.6	ACO-32108	ACO-P-32108
	32"x 120"	813 x 3048	6	290	131.7	ACO-32120	ACO-P-32120

# AARON MANUFACTURING INC.