

# AARON MANUFACTURING INC.

CABINETS WITH DOORS  
(UNFINISHED TOPS)  
MODEL # ACD SERIES

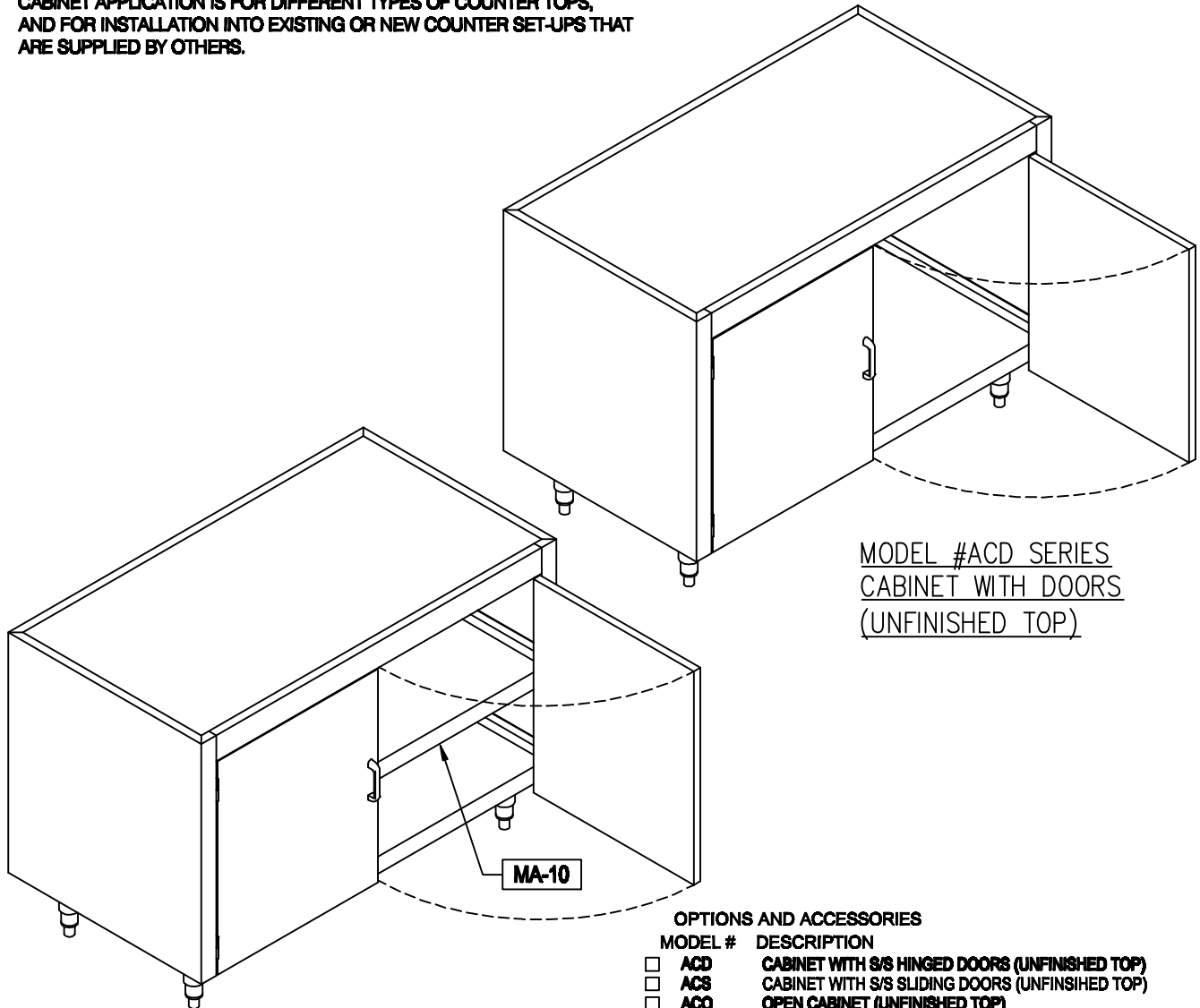
DATE: 8-17-04

## STANDARD FEATURES

**SPECIFICATION:** Cabinet and shelving constructed of 18 gauge stainless steel, with 14 gauge steel channel reinforcement. 18 gauge stainless steel #2b finish at cabinet tops. Double paneled door is 18 gauge stainless steel outer pan, 20 gauge stainless steel inner pan, with fiberglass insulation inbetween. Door with stainless steel lift-off pivot hinges, stainless door pull handle, and heavy duty ball type door catch. All cabinet interiors are sealed with clear silicone. All fabrication per N.S.F. #2 standards. Contact Aaron Bid Department for specific pricing for modified units and accessories.

CABINET APPLICATION IS FOR DIFFERENT TYPES OF COUNTER TOPS, AND FOR INSTALLATION INTO EXISTING OR NEW COUNTER SET-UPS THAT ARE SUPPLIED BY OTHERS.

JOB NAME : \_\_\_\_\_  
 LOCATION : \_\_\_\_\_  
 ITEM # \_\_\_\_\_  
 MODEL # \_\_\_\_\_  
 QUANTITY : \_\_\_\_\_



MODEL #ACD SERIES  
CABINET WITH DOORS  
(UNFINISHED TOP)

MODEL #ACD SERIES  
CABINET WITH DOORS, BOTTOM  
AND INTERMEDIATE SHELVING  
(UNFINISHED TOP)

### OPTIONS AND ACCESSORIES

- | MODEL #                        | DESCRIPTION  |
|--------------------------------|--|
| <input type="checkbox"/> ACD   | CABINET WITH S/S HINGED DOORS (UNFINISHED TOP)   |
| <input type="checkbox"/> ACS   | CABINET WITH S/S SLIDING DOORS (UNFINISHED TOP)  |
| <input type="checkbox"/> ACO   | OPEN CABINET (UNFINISHED TOP)  |
| <input type="checkbox"/> ACD-P | PASS THRU CABINET WITH S/S HINGED DOORS (UNFINISHED TOP)                               |
| <input type="checkbox"/> ACS-P | PASS THRU CABINET WITH S/S SLIDING DOORS (UNFINISHED TOP)                              |
| <input type="checkbox"/> ACO-P | PASS THRU OPEN CABINET (UNFINISHED TOP)  |
| <input type="checkbox"/> MA-1  | CUSTOM TABLE TOP   |
| <input type="checkbox"/> MA-2  | MARINE DECK  |
| <input type="checkbox"/> MA-6  | 6" HIGH LEG ASSEMBLY   |
| <input type="checkbox"/> MA-7  | S/S FLANGED FEET- <input type="checkbox"/> WITH HOLES <input type="checkbox"/> WITHOUT |
| <input type="checkbox"/> MA-10 | INTERMEDIATE SHELF   |
| <input type="checkbox"/> MA-31 | CYLINDER LOCK (WITH LOCKING LATCH FOR MULTI-DOORS)                                     |

AARON MANUFACTURING INC.