

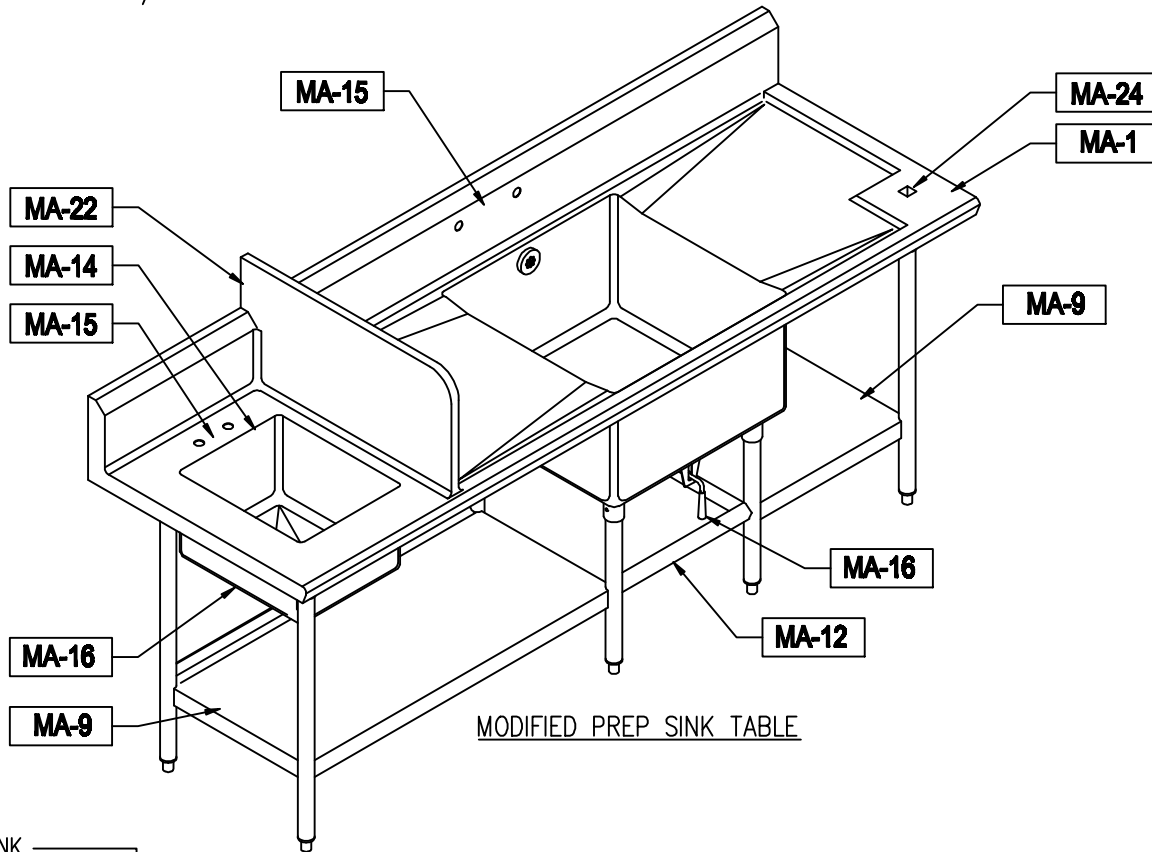
# AARON MANUFACTURING INC.

DATE: 8-17-04

## ORDERING

WHEN ORDERING OR SPECIFYING AARON EQUIPMENT, IT IS IMPORTANT TO INDICATE THE CORRECT SEQUENCE OF THAT PARTICULAR MODEL.

1. THE UNITS BASE MODEL TYPE
2. WIDTH OF SINK
3. UNIT'S DEPTH AND LENGTH
4. ACCESSORIES AND/OR OPTIONS

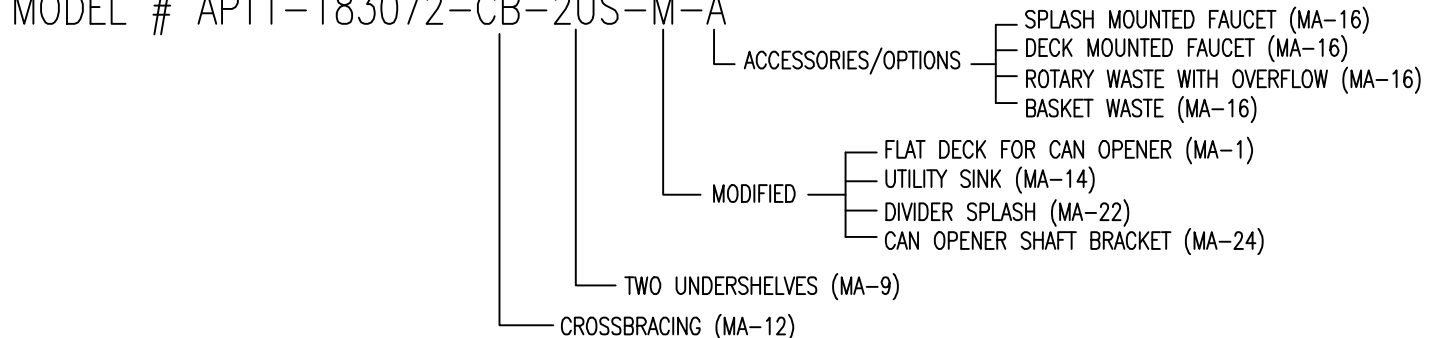


MODIFIED PREP SINK TABLE

SINGLE SINK  
PREP TABLE  
AARON

18" x 24" x 14" deep SINK  
TABLE'S DEPTH x LENGTH

MODEL # APT1-183072-CB-2US-M-A



# AARON MANUFACTURING INC.