

AARON MANUFACTURING INC.

STANDARD DRAWER ASSEMBLIES

DATE: 8-17-04

STANDARD FEATURES

SPECIFICATION: All drawer housings are 18 gauge stainless steel welded construction, with 16 gauge stainless square tubing rails. Stainless reinforcement is tack welded in place and finished clean.

Drawer tracks, track mounts, drawer frames and slides are 14 gauge stainless steel. 2" stainless roller wheels (ball bearing type) utilized for strong and smooth opening and closing of drawer.

Drawer face is 18 gauge stainless steel double pan with fiberglass insulation inbetween, and with a recessed type stainless steel drawer pull handle.

Optional cylinder lock is available.

All fabrication per N.S.F. #2 standards.

Contact Aaron Bid Department for specific pricing for modified units and accessories.

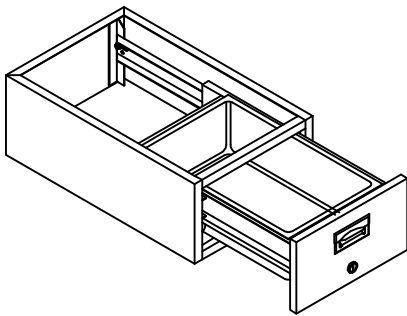
JOB NAME : _____

LOCATION : _____

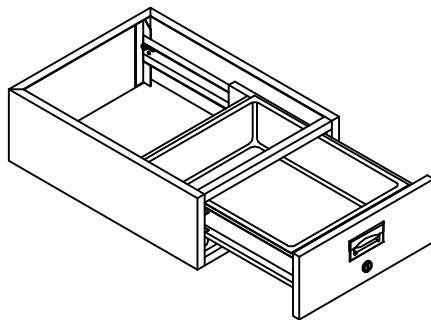
ITEM # _____

MODEL # _____

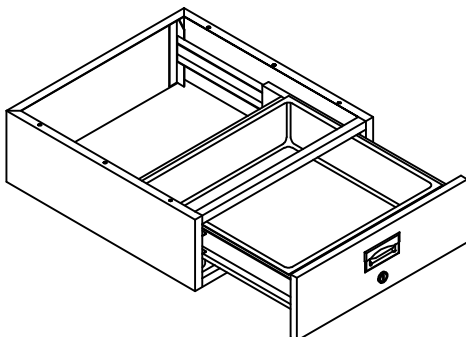
QUANTITY : _____



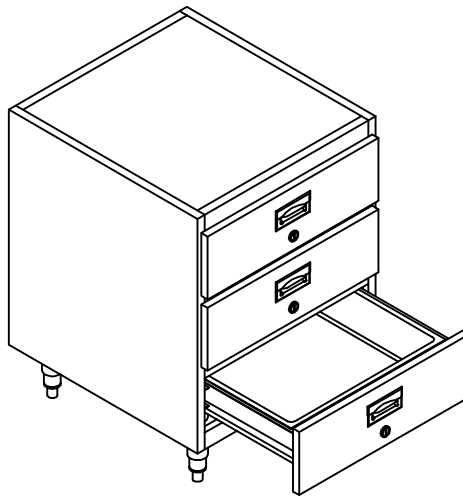
MODEL # MA-27 12"x 20"x 6" deep
UTILITY DRAWER



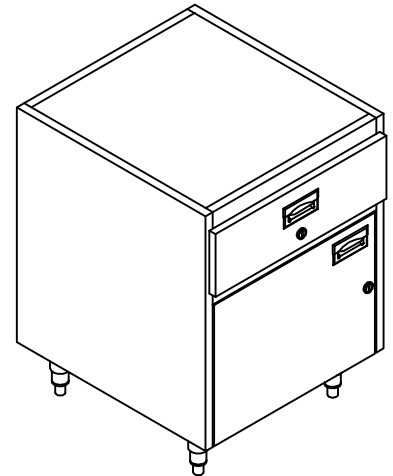
MODEL # MA-27 15"x 20"x 5" deep
UTILITY DRAWER



MODEL # MA-27 20"x 20"x 5" deep
UTILITY DRAWER



OPTIONAL
MODEL # A3DC-SERIES
THREE DRAWER HIGH
WITH S/S CABINET AND
6" HIGH S/S LEGS



OPTIONAL
MODEL # ACDC-SERIES
CASH DRAWER CABINET
WITH OR WITHOUT S/S DOOR
AND CYLINDER LOCK

OPTIONS AND ACCESSORIES

- | MODEL # | DESCRIPTION |
|--------------------------------|---|
| <input type="checkbox"/> MA-7 | S/S FLANGED FEET (In lieu of bullet feet) |
| | <input type="checkbox"/> WITH MOUNTING HOLES <input type="checkbox"/> WITHOUT |
| <input type="checkbox"/> MA-8 | SWIVEL CASTERS- <input type="checkbox"/> 5"Ø <input type="checkbox"/> 4"Ø |
| <input type="checkbox"/> MA-27 | CYLINDER LOCK (Keyed alike for multi units) |
| <input type="checkbox"/> A3DC | THREE DRAWER HIGH WITH CABINET AND 6" HIGH LEGS |
| <input type="checkbox"/> ACDC | CASH DRAWER CABINET |
| | <input type="checkbox"/> DRAWER WITH CYLINDER LOCK |
| | <input type="checkbox"/> DOOR <input type="checkbox"/> WITH CYLINDER LOCK |
| | <input type="checkbox"/> OPEN CABINET |

AARON MANUFACTURING INC.

324 S. DIAMOND BAR BLVD., SUITE 879, DIAMOND BAR, CA 91765 * (877) 202-2766 * FAX (800) 498-6655

A.7