

AARON MANUFACTURING INC.

STANDARD PAN RACK ASSEMBLY

DATE: 8-17-04

STANDARD FEATURES

SPECIFICATION: Rack storage consists of 1" square 16 gauge stainless steel tube frame, with 14 gauge s/s corner mounting brackets at top, removable 14 gauge stainless steel rack slide assembly- to accommodate 18" x 26" bake pans and 12" x 20" stainless steel hotel pans.
For multi-sectioned pan rack assemblies, 1" x 2" 16 gauge stainless steel tubing is also used. See mounting detail.
All fabrication per N.S.F. #2 standards.

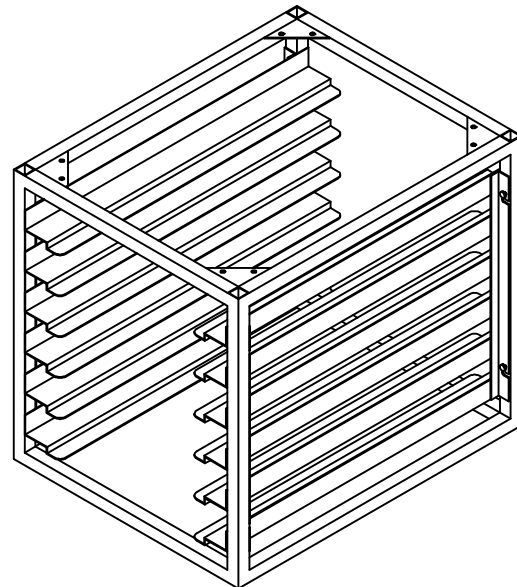
JOB NAME : _____

LOCATION : _____

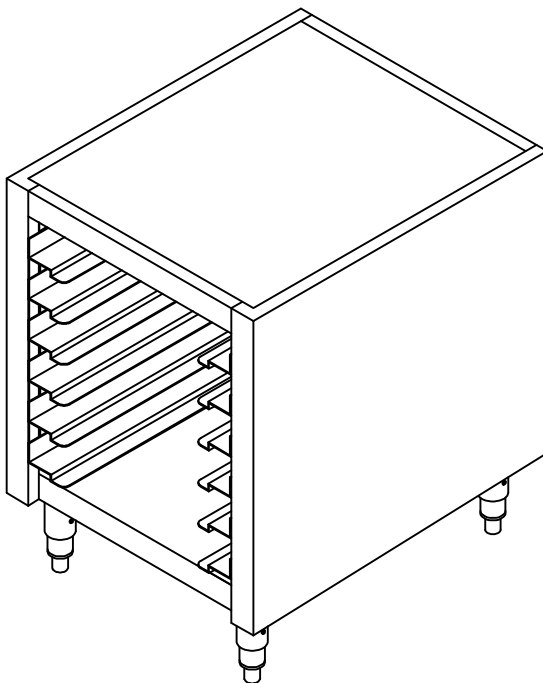
ITEM # _____

MODEL # _____

QUANTITY : _____



MA-29-1
PAN RACK STORAGE



OPTIONAL: # MA-29-1C
STAINLESS STEEL CABINET

AARON MANUFACTURING INC.

324 S. DIAMOND BAR BLVD., SUITE 879, DIAMOND BAR, CA 91765 * (877) 202-2766 * FAX (800) 498-6655

A.9