

AARON MANUFACTURING INC.

UPPER SHELVING OVER WORK TABLES MODELS # AOS1 & AOS2

DATE: 8-17-04

STANDARD FEATURES

SPECIFICATION: Upper shelving are 18 gauge stainless steel all welded construction, with high polished rolled edge. Exposed 14 gauge stainless steel knife brackets and hat channel reinforcement underneath. 1 5/8"Ø 16 gauge stainless steel tubing vertical supports.

Optional 22 gauge stainless steel shelf underliner cover for concealed type bracket application.

Upgrade available: 16 gauge stainless steel shelving.

All fabrication per N.S.F. #2 standards.

Contact Aaron Bid Department for specific pricing for modified units and accessories.

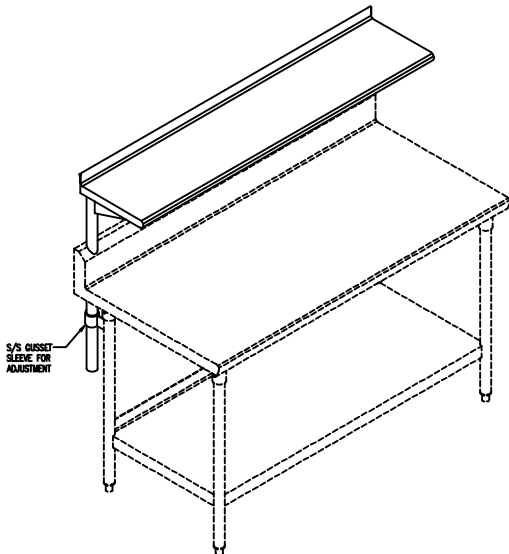
JOB NAME : _____

LOCATION : _____

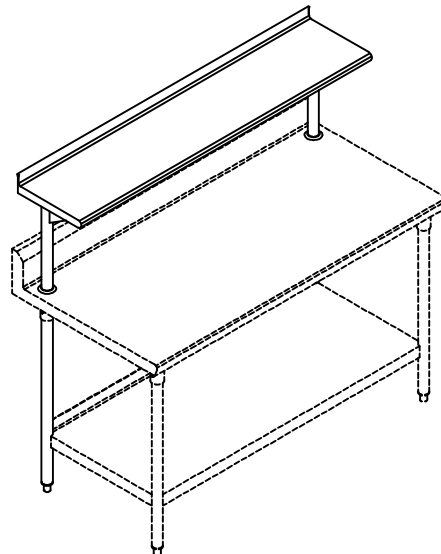
ITEM # _____

MODEL # _____

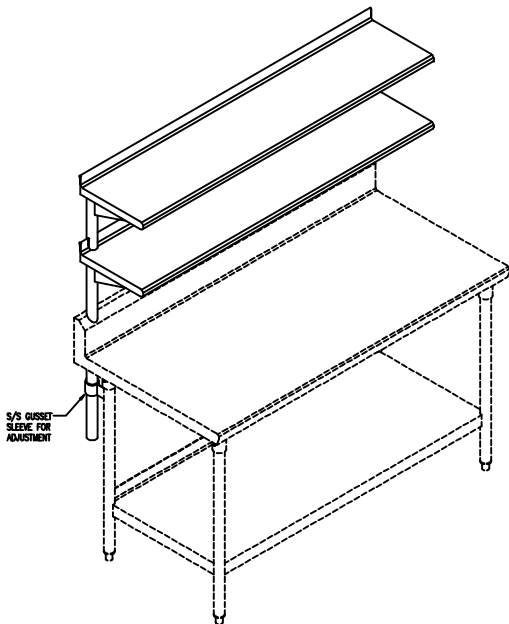
QUANTITY : _____



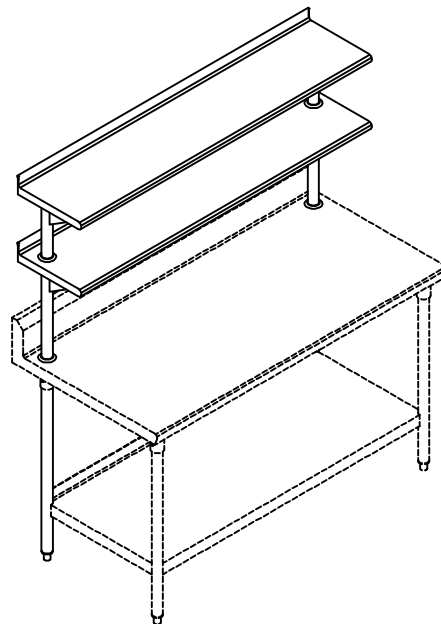
MODEL # AOS-1S SERIES SINGLE
UPPER SHELVING (ADJUSTABLE)



MODEL # AOS-2S SERIES SINGLE
UPPER SHELVING (FIXED HEIGHT)



MODEL # AOS-1D SERIES DOUBLE
UPPER SHELVING (ADJUSTABLE)



MODEL # AOS-2D SERIES DOUBLE
UPPER SHELVING (FIXED HEIGHT)

AARON MANUFACTURING INC.

324 S. DIAMOND BAR BLVD., SUITE 879, DIAMOND BAR, CA 91765 * (877) 202-2766 * FAX (800) 498-6655

B.1