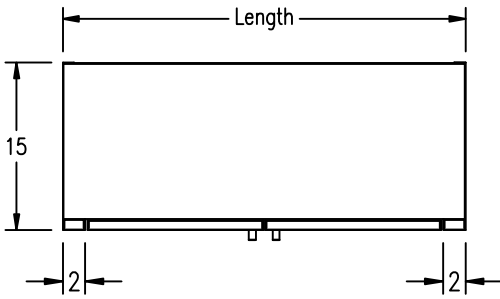


AARON MANUFACTURING INC.

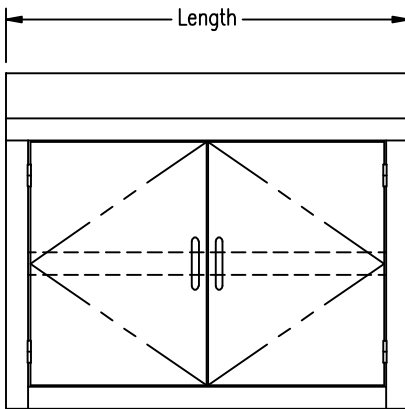
ALL STAINLESS STEEL WALL CABINETS MODEL # AWC SERIES

DATE: 8-17-04

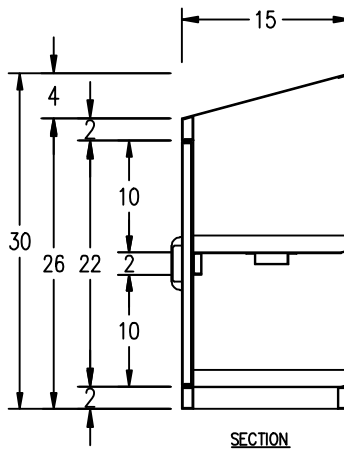


PLAN VIEW OF MODEL #AWCD- SERIES
WALL CABINET WITH HINGED DOORS

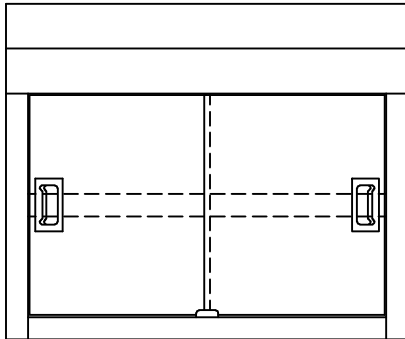
MODEL # AWC-SERIES STAINLESS STEEL WALL CABINET						
	length	hinged door	# of	sliding doors	open cabinet	weight
	in.	model #	doors	model #	model #	lbs. kg.
	24"	AWCD-24	1	N.A.	AWCO-24	90 40.8
	36"	AWCD-36	2	AWCS-36	AWCO-36	125 56.7
	48"	AWCD-48	3	AWCS-48	AWCO-48	165 74.8
	60"	AWCD-60	3	AWCS-60	AWCO-60	195 88.5
	72"	AWCD-72	4	AWCS-72	AWCO-72	225 102.0
	84"	AWCD-84	4	AWCS-84	AWCO-84	245 111.1
	96"	AWCD-96	5	AWCS-96	AWCO-96	260 117.9



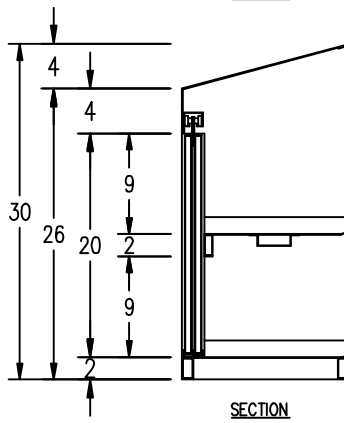
FRONT ELEVATION VIEW # AWCD (HINGED DOORS)



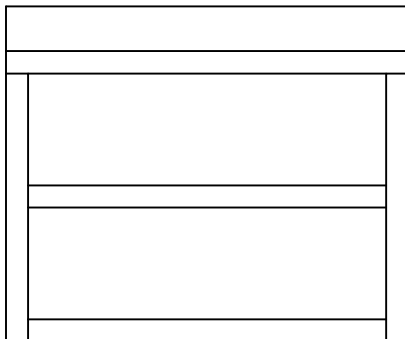
SECTION



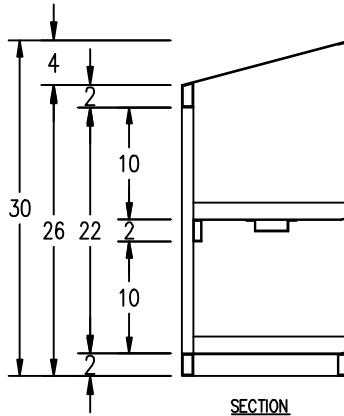
FRONT ELEVATION VIEW # AWCS (SLIDING DOORS)



SECTION



FRONT ELEVATION VIEW # AWCO (OPEN CABINET)



SECTION

AARON MANUFACTURING INC.