

AARON MANUFACTURING INC.

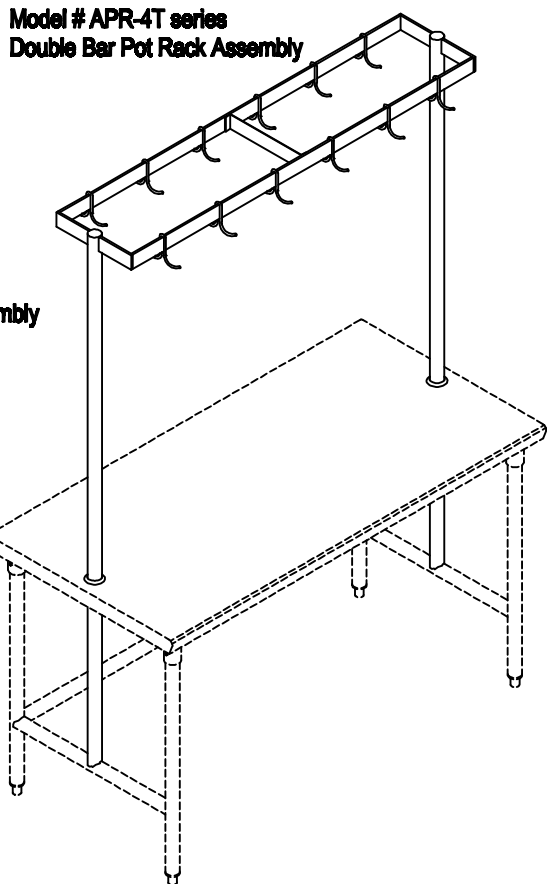
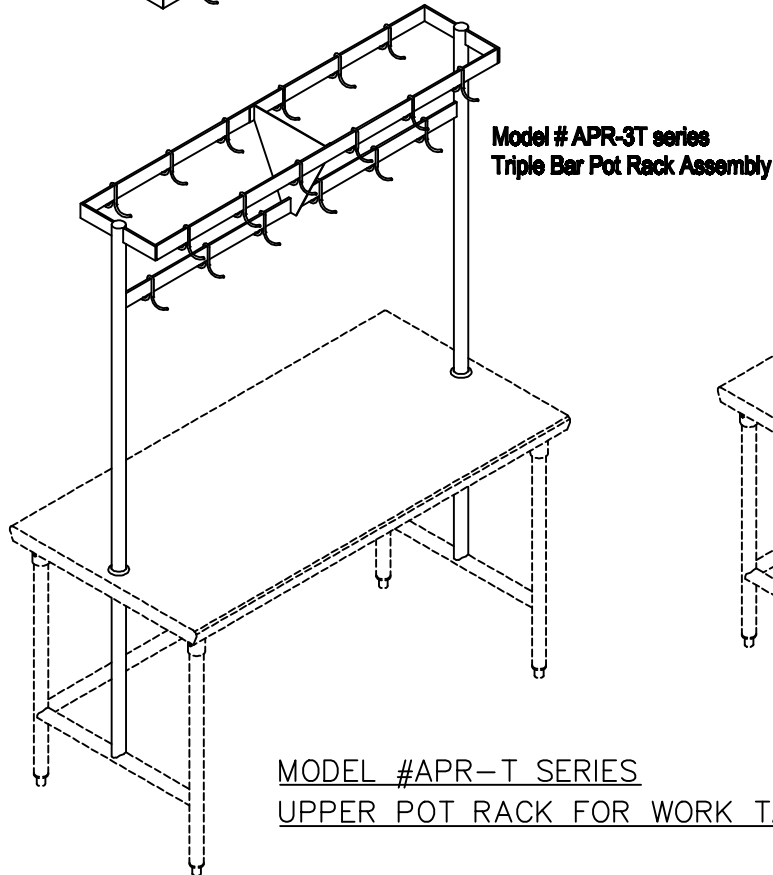
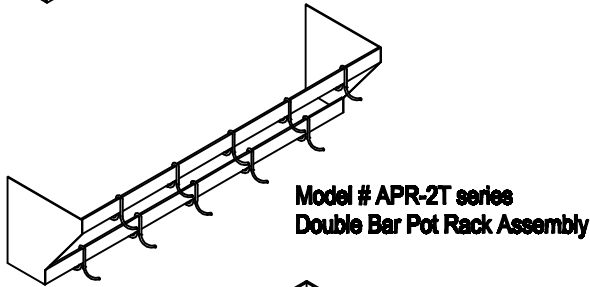
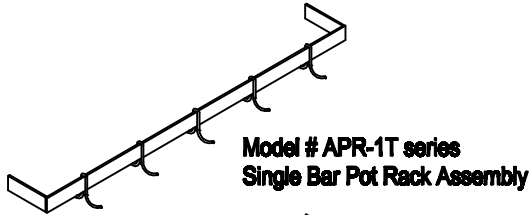
UTENSIL AND POT RACKS FOR TABLE MOUNT TYPES

DATE: 8-17-04

STANDARD FEATURES

SPECIFICATION: All pot racks consists of 2" wide x 1/4" thick stainless flat bar with 14 gauge stainless steel brackets, and stainless steel double or single pot hooks.
Economy type available: Consists 1 5/8"Ø 16 gauge stainless steel tubing with 1/4"Ø x 3" long stainless steel rods at a 30° angle up and 8" o.c. spacing.
 All fabrication per N.S.F. #2 standards.
 Contact Aaron Bid Department for specific pricing for modified units and accessories.

JOB NAME : _____
 LOCATION : _____
 ITEM # _____
 MODEL # _____
 QUANTITY : _____



MODEL #APR-T SERIES
UPPER POT RACK FOR WORK TABLE

OPTIONS AND ACCESSORIES

MODEL #	DESCRIPTION
<input type="checkbox"/> MA-33	DOUBLE POT HOOK
<input type="checkbox"/> MA-34	SINGLE POT HOOK

AARON MANUFACTURING INC.

324 S. DIAMOND BAR BLVD., SUITE 879, DIAMOND BAR, CA 91765 * (877) 202-2766 * FAX (800) 498-6655