

# AARON MANUFACTURING INC.

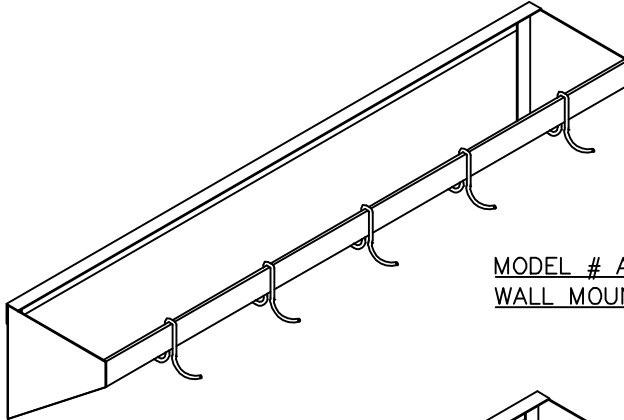
## UTENSIL AND POT RACKS WALL MOUNT TYPES

DATE: 8-17-04

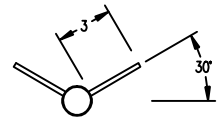
### STANDARD FEATURES

**SPECIFICATION:** All pot racks consists of 2" wide x 1/4" thick stainless flat bar with 14 gauge stainless steel brackets, and stainless steel double or single pot hooks.  
**Economy type available:** Consists 1 5/8"Ø 16 gauge stainless steel tubing with 1/4"Ø x 3" long stainless steel rods at a 30° angle up and 8" o.c. spacing.  
 All fabrication per N.S.F. #2 standards.  
 Contact Aaron Bid Department for specific pricing for modified units and accessories.

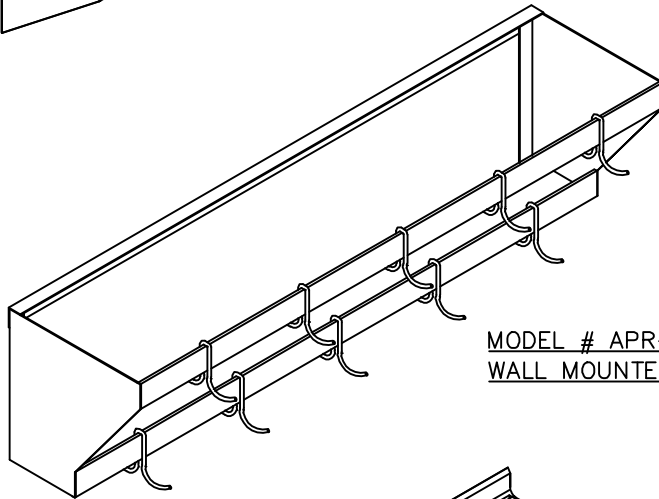
JOB NAME : \_\_\_\_\_  
 LOCATION : \_\_\_\_\_  
 ITEM # \_\_\_\_\_  
 MODEL # \_\_\_\_\_  
 QUANTITY : \_\_\_\_\_



MODEL # APR-S SERIES  
WALL MOUNTED SINGLE POT RACK



Economy Pot Rack



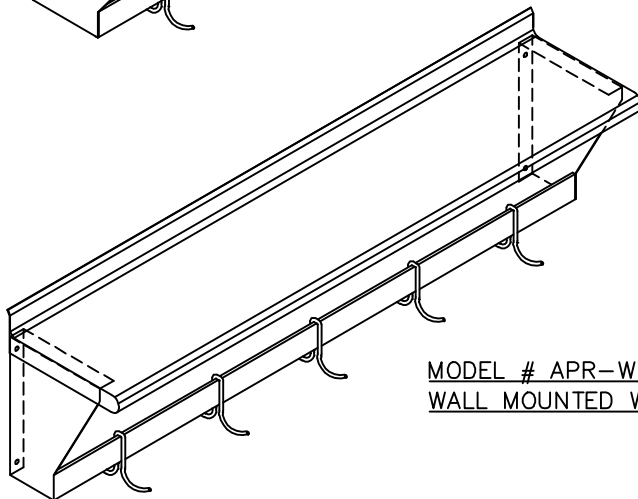
MODEL # APR-D SERIES  
WALL MOUNTED DOUBLE POT RACK



Double Pot Hook



Single Pot Hook



MODEL # APR-W SERIES  
WALL MOUNTED WALL SHELF WITH POT RACK

#### OPTIONS AND ACCESSORIES

MODEL #	DESCRIPTION
<input type="checkbox"/> MA-33	DOUBLE POT HOOKS
<input type="checkbox"/> MA-34	SINGLE POT HOOKS

AARON MANUFACTURING INC.

324 S. DIAMOND BAR BLVD., SUITE 879, DIAMOND BAR, CA 91765 \* (877) 202-2766 \* FAX (800) 498-6655

B.13