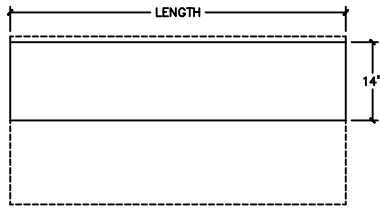


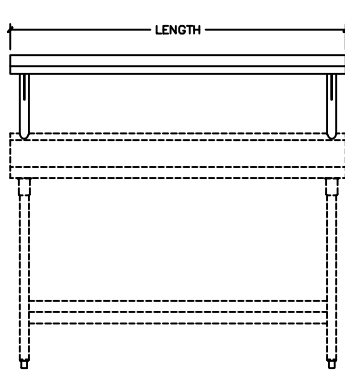
AARON MANUFACTURING INC.

DATE: 8-17-04

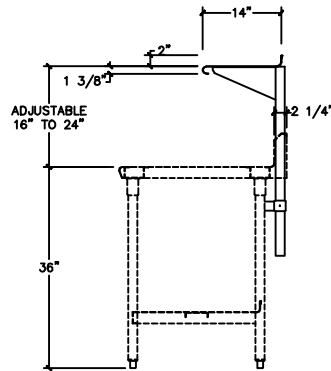
UPPER SHELVING OVER WORK TABLES MODELS # AOS1 & AOS2



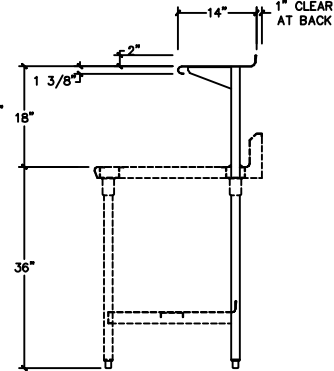
PLAN VIEW



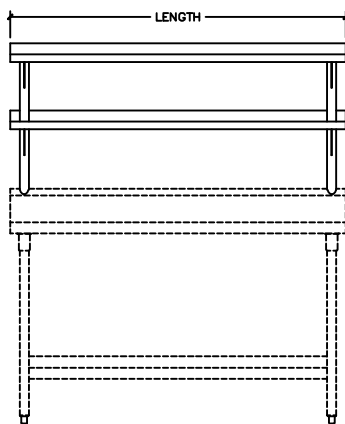
ELEVATION VIEW (SINGLE)



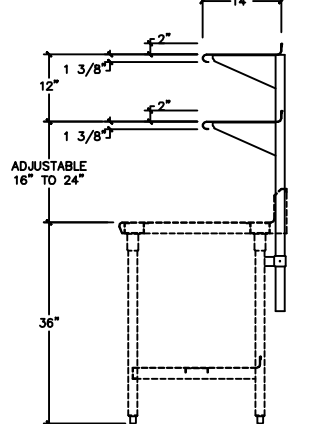
AOS-1S SERIES



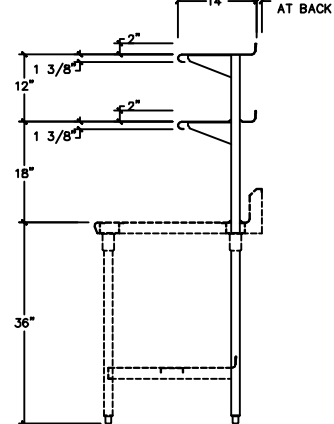
AOS-2S SERIES



ELEVATION VIEW (DOUBLE)



AOS-1D SERIES



AOS-2D SERIES

MODEL # AOS SERIES UPPER SHELF SPECIFICATIONS

depth x length in.	length mm	# of tube supports	model #		weight		model #		weight	
			adjustable	fixed	lbs.	kg.	adjustable	fixed	lbs.	kg.
14" x 24"	356 x 610	2	AOS-1S-24	AOS-2S-24	20	9.1	AOS-1D-24	AOS-2D-24	35	15.9
14" x 30"	356 x 762	2	AOS-1S-30	AOS-2S-30	25	11.3	AOS-1D-30	AOS-2D-30	45	20.4
14" x 36"	356 x 914	2	AOS-1S-36	AOS-2S-36	30	13.6	AOS-1D-36	AOS-2D-36	55	24.9
14" x 42"	356 x 1067	2	AOS-1S-42	AOS-2S-42	35	15.9	AOS-1D-42	AOS-2D-42	65	29.5
14" x 48"	356 x 1219	2	AOS-1S-48	AOS-2S-48	40	18.1	AOS-1D-48	AOS-2D-48	75	34.0
14" x 60"	356 x 1524	2	AOS-1S-60	AOS-2S-60	45	20.4	AOS-1D-60	AOS-2D-60	85	38.6
14" x 72"	356 x 1829	2	AOS-1S-72	AOS-2S-72	50	22.7	AOS-1D-72	AOS-2D-72	95	43.1
14" x 84"	356 x 2134	3	AOS-1S-84	AOS-2S-84	60	27.2	AOS-1D-84	AOS-2D-84	110	49.9
14" x 96"	356 x 2438	3	AOS-1S-96	AOS-2S-96	65	29.5	AOS-1D-96	AOS-2D-96	120	54.4
14" x 108"	356 x 2743	3	AOS-1S-108	AOS-2S-108	70	31.8	AOS-1D-108	AOS-2D-108	130	59.0
14" x 120"	356 x 3048	3	AOS-1S-120	AOS-2S-120	75	34.0	AOS-1D-120	AOS-2D-120	140	63.5

AARON MANUFACTURING INC.

B.2 324 S. DIAMOND BAR BLVD., SUITE 879, DIAMOND BAR, CA 91765 * (877) 202-2766 * FAX (800) 498-6655