

AARON MANUFACTURING INC.

UPPER SHELVING
OVER WORK TABLES
MODELS # AOS3 & AOS4

DATE: 8-17-04

STANDARD FEATURES

SPECIFICATION: Upper shelving are 16 gauge stainless steel all welded construction, with high polished rolled edge. Exposed 14 gauge stainless steel knife brackets and hat channel reinforcement underneath. Shelving supported on 1"Ø 16 gauge stainless steel tubing.

Optional 22 gauge stainless steel shelf underliner cover for concealed type bracket application.

Economy series available: 18 gauge stainless steel shelving, in lieu of 16 gauge stainless. All fabrication per N.S.F. #2 standards.

Contact Aaron Bid Department for specific pricing for modified units and accessories.

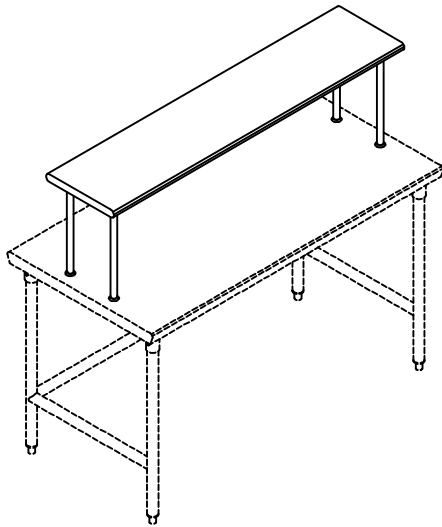
JOB NAME : _____

LOCATION : _____

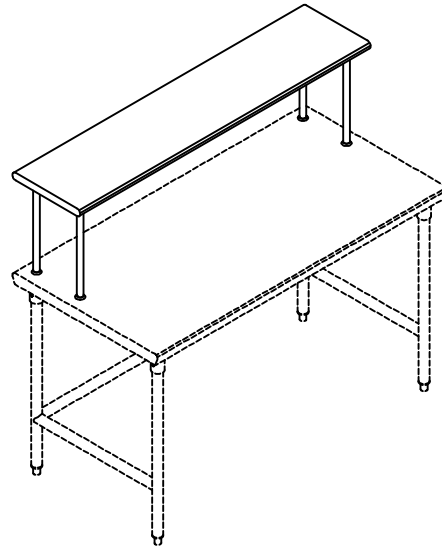
ITEM # _____

MODEL # _____

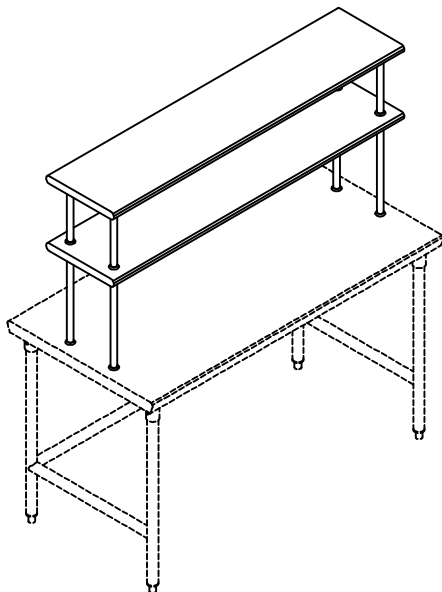
QUANTITY : _____



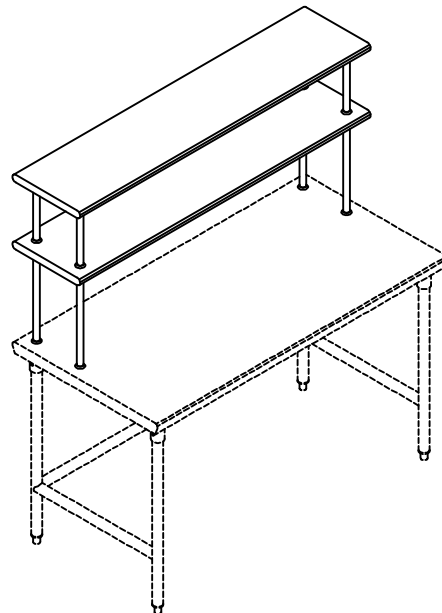
MODEL # AOS-3S SERIES SINGLE
UPPER SHELVING (FIXED HEIGHT)



MODEL # AOS-4S SERIES SINGLE
UPPER SHELVING (FIXED HEIGHT)



MODEL # AOS-3D SERIES DOUBLE
UPPER SHELVING (FIXED HEIGHT)



MODEL # AOS-4D SERIES DOUBLE
UPPER SHELVING (FIXED HEIGHT)

AARON MANUFACTURING INC.

324 S. DIAMOND BAR BLVD., SUITE 879, DIAMOND BAR, CA 91765 * (877) 202-2766 * FAX (800) 498-6655

B.3