

# AARON MANUFACTURING INC.

## UPPER SHELVING OVER WORK TABLES MODELS # AOS5 & AOS6

DATE: 8-17-04

### STANDARD FEATURES

**SPECIFICATION:** Upper shelving are 16 gauge stainless steel all welded construction, with high polished rolled edge. Exposed 14 gauge stainless steel knife brackets and hat channel reinforcement underneath. 1 5/8"Ø 16 gauge stainless steel support tubing.

Optional 22 gauge stainless steel wall shelf underliner cover for concealed type bracket application.

Economy series available: 18 gauge stainless steel shelving, in lieu of 16 gauge stainless. All fabrication per N.S.F. #2 standards.

Contact Aaron Bid Department for specific pricing for modified units and accessories.

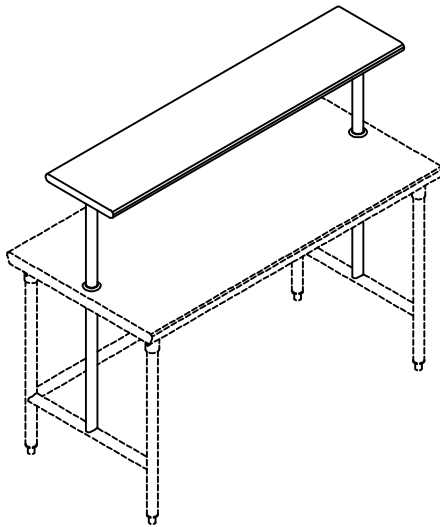
JOB NAME : \_\_\_\_\_

LOCATION : \_\_\_\_\_

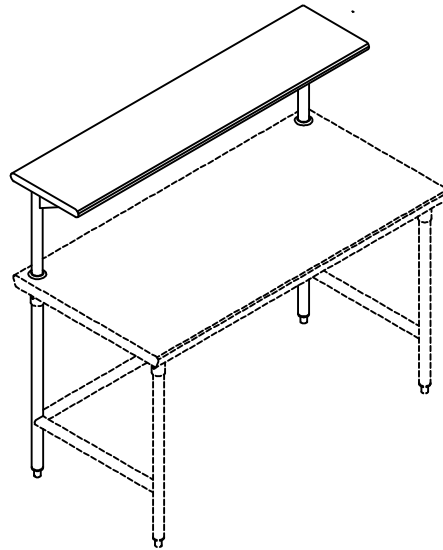
ITEM # \_\_\_\_\_

MODEL # \_\_\_\_\_

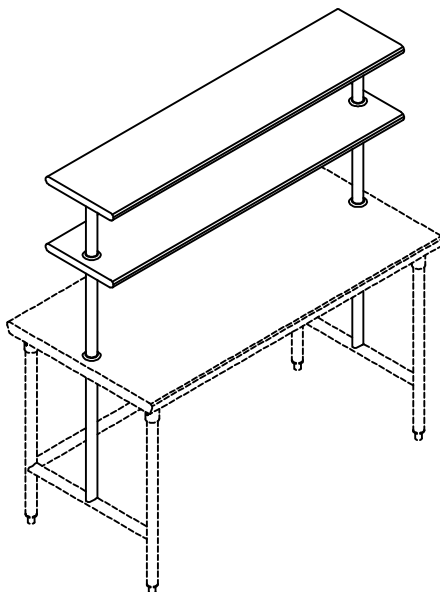
QUANTITY : \_\_\_\_\_



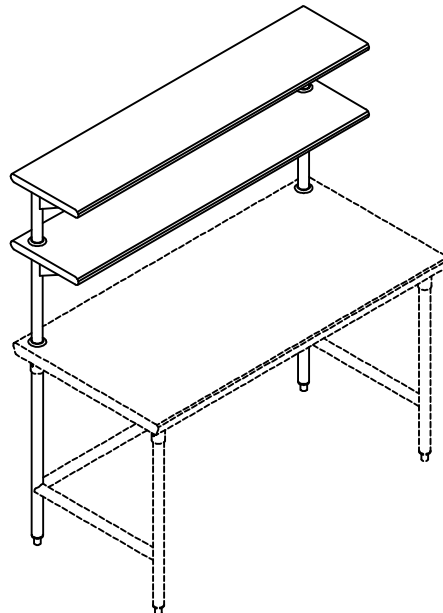
MODEL # AOS-5S SERIES SINGLE  
UPPER SHELVING (FIXED HEIGHT)



MODEL # AOS-6S SERIES SINGLE  
UPPER SHELVING (FIXED HEIGHT)



MODEL # AOS-5D SERIES DOUBLE  
UPPER SHELVING (FIXED HEIGHT)



MODEL # AOS-6D SERIES DOUBLE  
UPPER SHELVING (FIXED HEIGHT)

AARON MANUFACTURING INC.

324 S. DIAMOND BAR BLVD., SUITE 879, DIAMOND BAR, CA 91765 \* (877) 202-2766 \* FAX (800) 498-6655

B.5