

AARON MANUFACTURING INC.

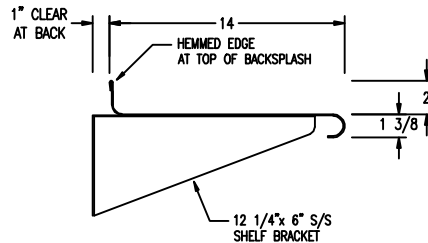
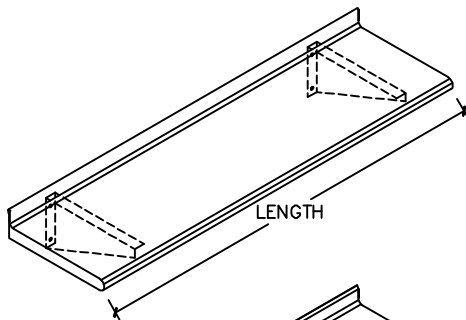
STANDARD WALL MOUNTED SHELVING

DATE: 8-17-04

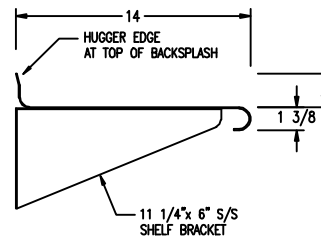
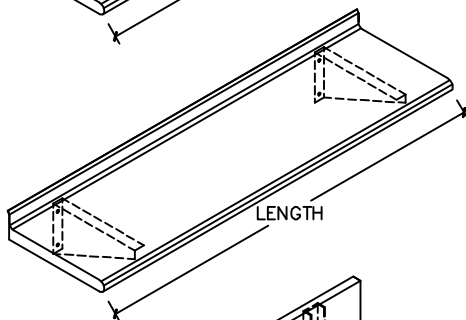
STANDARD FEATURES

SPECIFICATION: Wall shelving are 18 gauge stainless steel all welded construction, with high polished rolled edge.
 Exposed 14 gauge stainless steel knife brackets.
 Concealed type shelf brackets are 14 gauge stainless steel and 1/8" thick channel iron.
 Optional 22 gauge stainless steel wall shelf underliner cover for concealed type bracket application.
 All fabrication per N.S.F. #2 standards.
 Contact Aaron Bld Department for specific pricing for modified units and accessories.

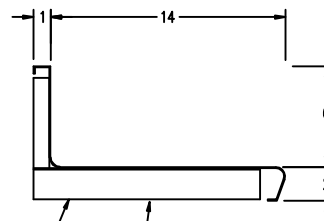
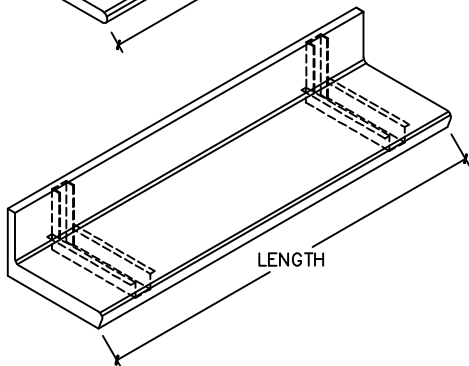
JOB NAME : _____
 LOCATION : _____
 ITEM # _____
 MODEL # _____
 QUANTITY : _____



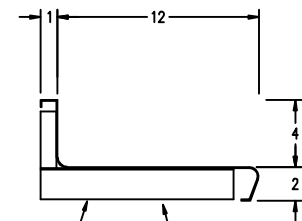
MODEL # AWS1-SERIES
WALL SHELF- TYPE I



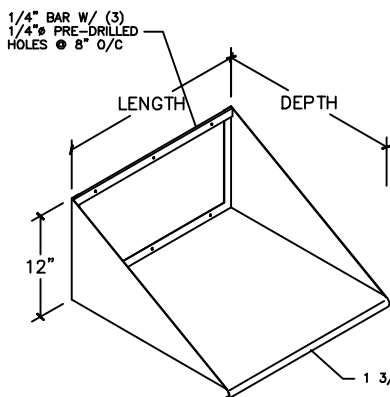
MODEL # AWS2-SERIES
WALL SHELF- TYPE II



MODEL # AWS3-SERIES
WALL SHELF- TYPE III



MODEL # AWS4-SERIES
WALL SHELF- TYPE IV



MODEL # AMS-SERIES
MICROWAVE OVEN SHELF

OPTIONS AND ACCESSORIES

- | MODEL # | DESCRIPTION |
|--------------------------------|--|
| <input type="checkbox"/> MA-31 | END SPLASHES |
| <input type="checkbox"/> MA-32 | <input type="checkbox"/> BLADE (RAW) TYPE <input type="checkbox"/> 1" THICK TYPE
BOTTOM WALL SHELF UNDERLINER COVER
(for concealed shelf bracket application only) |

AARON MANUFACTURING INC.

324 S. DIAMOND BAR BLVD., SUITE 879, DIAMOND BAR, CA 91765 * (877) 202-2766 * FAX (800) 498-6655