

AARON MANUFACTURING INC.

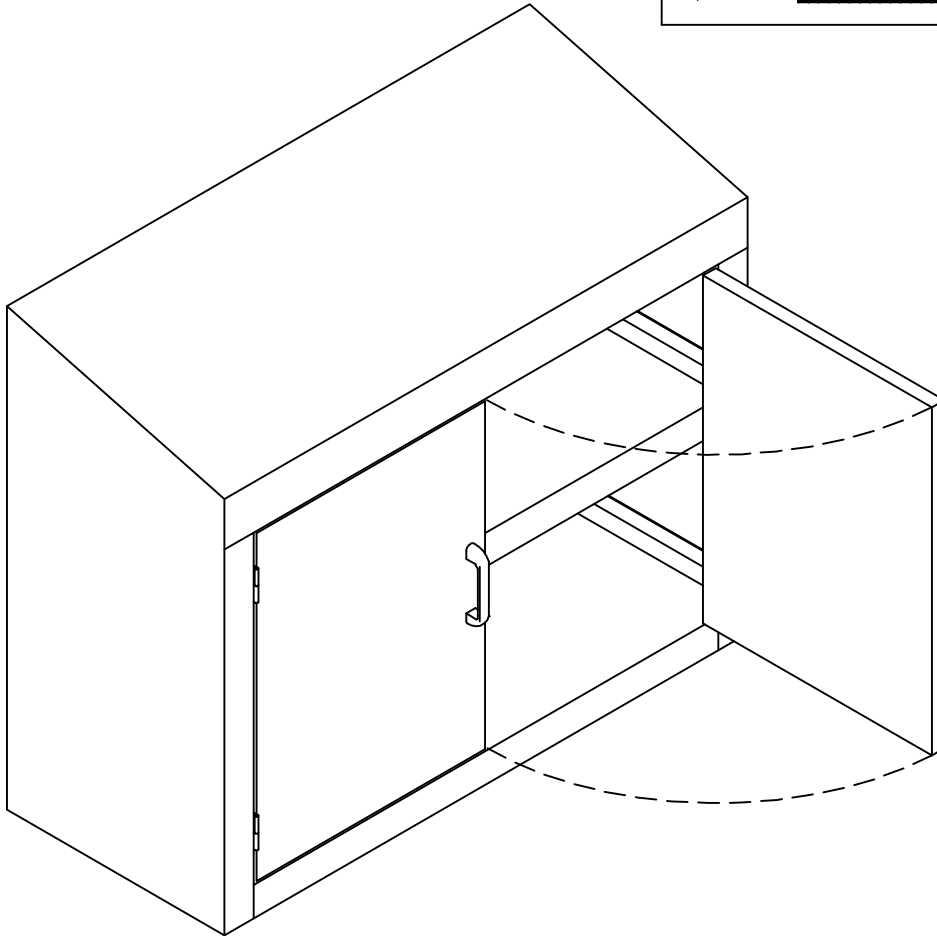
ALL STAINLESS STEEL
WALL CABINET
MODEL # AWC SERIES

STANDARD FEATURES

DATE: 8-17-04

SPECIFICATION: Wall cabinet and shelving constructed of 18 gauge stainless steel, with and 16 gauge stainless steel channel reinforcement.
Double paneled door is 18 gauge stainless steel outer pan, 20 gauge stainless steel inner pan, with fiberglass insulation inbetween.
Door with stainless steel lift-off pivot hinges, stainless door pull handle, and heavy duty ball type door catch.
All fabrication per N.S.F. #2 standards.
Contact Aaron Bid Department for specific pricing for modified units and accessories.

JOB NAME :	_____
LOCATION :	_____
ITEM #	_____
MODEL #	_____
QUANTITY :	_____



MODEL #AWCD- SERIES
WALL CABINET WITH HINGED DOORS

OPTIONS AND ACCESSORIES

MODEL #	DESCRIPTION
<input type="checkbox"/> AWCS	STAINLESS STEEL SLIDING DOORS
<input type="checkbox"/> AWCO	OPEN CABINET
<input type="checkbox"/> MA-2	MARINE EDGE AT SHELVING
<input type="checkbox"/> MA-31	CYLINDER LOCK (WITH LOCKING LATCH FOR MUTI-DOORS)

AARON MANUFACTURING INC.

324 S. DIAMOND BAR BLVD., DIAMOND BAR, SUITE 879, CA 91765 * (877) 202-2766 * FAX (800) 498-6655

B.9