

AARON MANUFACTURING INC.

ISLAND WORK TABLES
WITH OPEN CABINETS
MODEL # AIT-CO SERIES

DATE: 8-17-04

STANDARD FEATURES

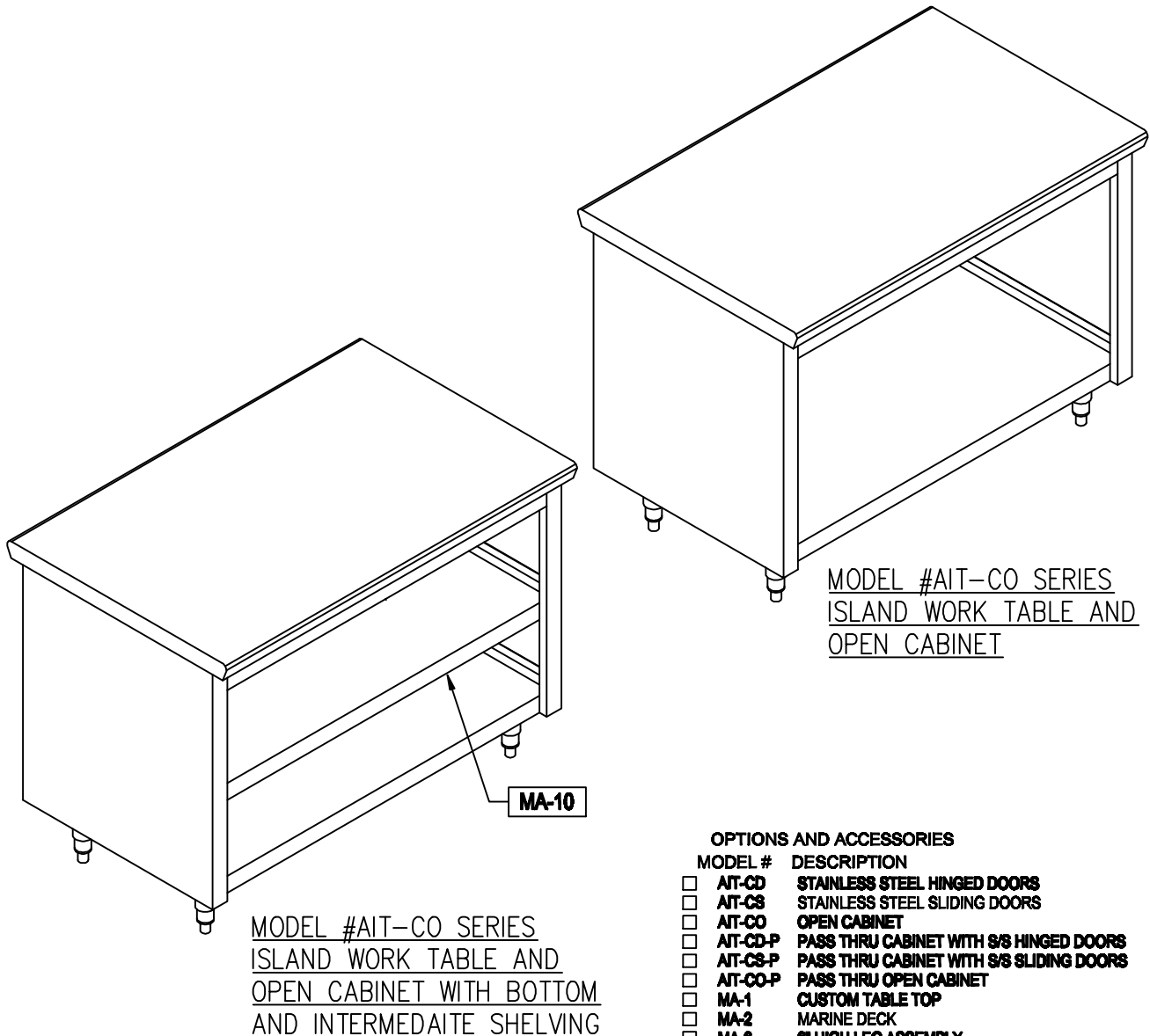
SPECIFICATION: Counter tops are constructed of 14 gauge stainless steel. Cabinet and shelving constructed of 18 gauge stainless steel, with and 14 gauge steel channel reinforcement.

All cabinet interiors are sealed with clear silicone.

All fabrication per N.S.F. #2 standards.

Contact Aaron Bid Department for specific pricing for modified units and accessories.

JOB NAME :	_____
LOCATION :	_____
ITEM #	_____
MODEL #	_____
QUANTITY :	_____



OPTIONS AND ACCESSORIES

- | MODEL # | DESCRIPTION |
|-----------------------------------|--|
| <input type="checkbox"/> AIT-CD | STAINLESS STEEL HINGED DOORS |
| <input type="checkbox"/> AIT-CS | STAINLESS STEEL SLIDING DOORS |
| <input type="checkbox"/> AIT-CO | OPEN CABINET |
| <input type="checkbox"/> AIT-CD-P | PASS THRU CABINET WITH S/S HINGED DOORS |
| <input type="checkbox"/> AIT-CS-P | PASS THRU CABINET WITH S/S SLIDING DOORS |
| <input type="checkbox"/> AIT-CO-P | PASS THRU OPEN CABINET |
| <input type="checkbox"/> MA-1 | CUSTOM TABLE TOP |
| <input type="checkbox"/> MA-2 | MARINE DECK |
| <input type="checkbox"/> MA-6 | 6" HIGH LEG ASSEMBLY |
| <input type="checkbox"/> MA-7 | S/S FLANGED FEET- <input type="checkbox"/> WITH HOLES <input type="checkbox"/> WITHOUT |
| <input type="checkbox"/> MA-10 | INTERMEDIATE SHELF |
| <input type="checkbox"/> MA-31 | CYLINDER LOCK (WITH LOCKING LATCH FOR MUTI-DOORS) |

AARON MANUFACTURING INC.

324 S. DIAMOND BAR BLVD., SUITE 879, DIAMOND BAR, CA 91765 * (877) 202-2766 * FAX (800) 498-6655

C.11