

AARON MANUFACTURING INC.

ISLAND WORK TABLES WITH CABINETS WITH DOORS MODEL # AIT-CD SERIES

DATE: 8-17-04

STANDARD FEATURES

SPECIFICATION: Counter tops are constructed of 14 gauge stainless steel. Cabinet and shelving constructed of 18 gauge stainless steel, with and 14 gauge steel channel reinforcement.

Double paneled door is 18 gauge stainless steel outer pan, 20 gauge stainless steel inner pan, with fiberglass insulation inbetween.

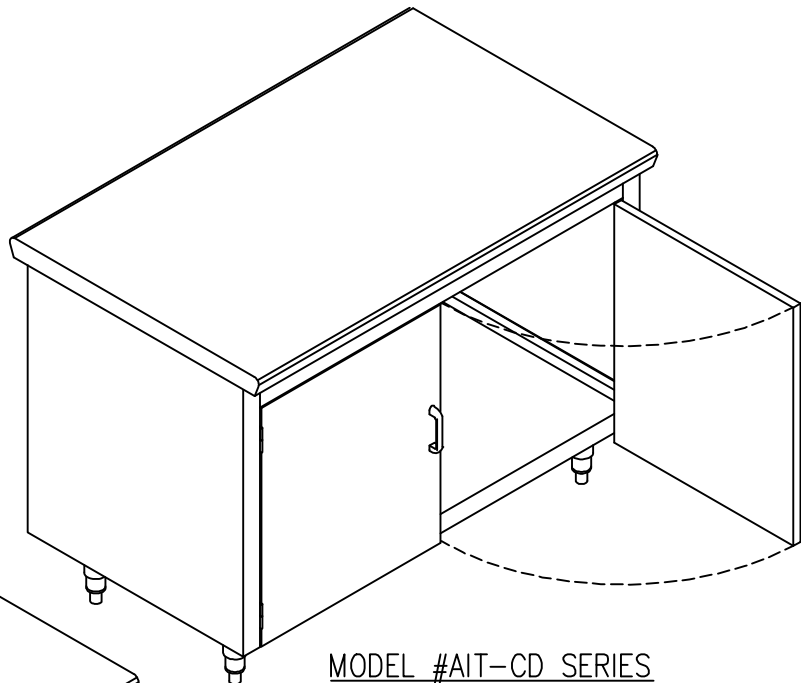
Door with stainless steel lift-off pivot hinges, stainless door pull handle, and heavy duty ball type door catch.

All cabinet interiors are sealed with clear silicone.

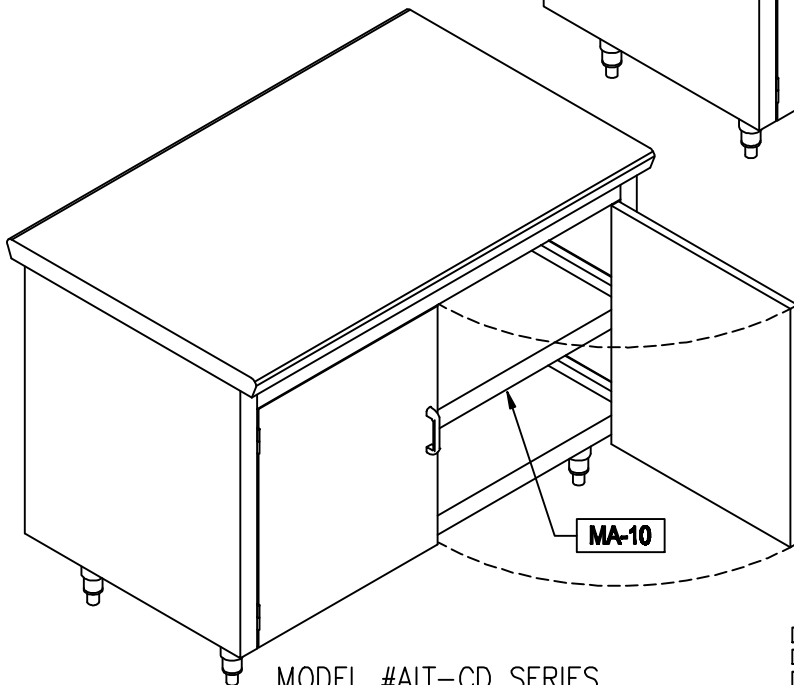
All fabrication per N.S.F. #2 standards.

Contact Aaron Bid Department for specific pricing for modified units and accessories.

JOB NAME :	_____
LOCATION :	_____
ITEM #	_____
MODEL #	_____
QUANTITY :	_____



MODEL #AIT-CD SERIES
ISLAND WORK TABLE AND
CABINET WITH DOORS



MODEL #AIT-CD SERIES
ISLAND WORK TABLE AND
CABINET WITH DDORS, BOTTOM
AND INTERMEDAITE SHELVING

OPTIONS AND ACCESSORIES

- | MODEL # | DESCRIPTION |
|-----------------------------------|--|
| <input type="checkbox"/> AIT-CD | STAINLESS STEEL HINGED DOORS |
| <input type="checkbox"/> AIT-CD-P | PASS THRU CABINET WITH S/S HINGED DOORS |
| <input type="checkbox"/> MA-1 | CUSTOM TABLE TOP |
| <input type="checkbox"/> MA-2 | MARINE DECK |
| <input type="checkbox"/> MA-6 | 6" HIGH LEG ASSEMBLY |
| <input type="checkbox"/> MA-7 | S/S FLANGED FEET- <input type="checkbox"/> WITH HOLES <input type="checkbox"/> WITHOUT |
| <input type="checkbox"/> MA-10 | INTERMEDIATE SHELF |
| <input type="checkbox"/> MA-31 | CYLINDER LOCK (WITH LOCKING LATCH FOR MUTI-DOORS) |

AARON MANUFACTURING INC.