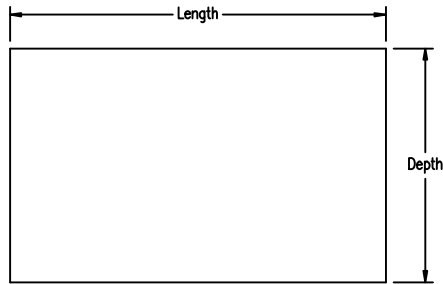


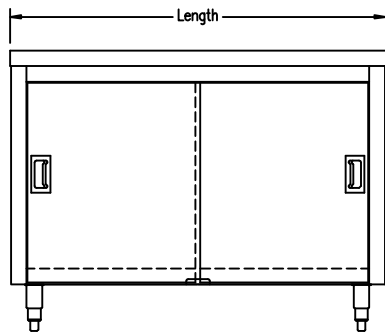
# AARON MANUFACTURING INC.

DATE: 8-17-04

## ISLAND WORK TABLES WITH CABINETS WITH SLIDING DOORS MODEL # AIT-CS SERIES

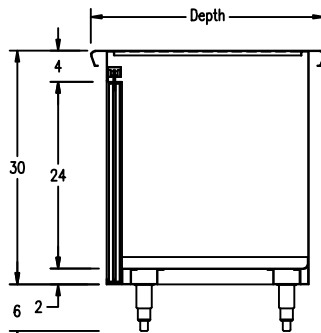


PLAN VIEW



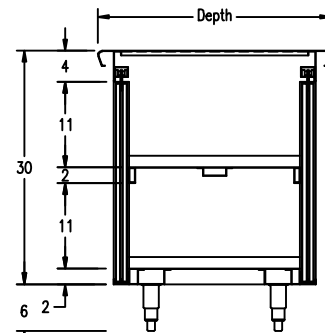
FRONT ELEVATION VIEW

MODEL #AIT-CS SERIES  
ISLAND WORK TABLE AND  
CABINET WITH SLIDING DOORS



SECTION

MODEL #AIT-CS-P SERIES  
PASS THRU APPLICATION



SECTION  
OPTIONAL INTERMEDIATE SHELVING

| MODEL # AIT-CS SERIES SPECIFICATIONS |              |              |               |                |               |                    |               |                |               |                              |
|--------------------------------------|--------------|--------------|---------------|----------------|---------------|--------------------|---------------|----------------|---------------|------------------------------|
| depth x length<br>in.                | length<br>mm | # of<br>legs | # of<br>doors | weight<br>lbs. | weight<br>kg. | model #<br>cabinet | # of<br>doors | weight<br>lbs. | weight<br>kg. | model #<br>pass thru cabinet |
| 24" x 36"                            | 610 x 914    | 4            | 1             | 150            | 68.1          | AIT-CS-2436        | 2             | 180            | 81.7          | AIT-CS-P-2436                |
| 24" x 42"                            | 610 x 1067   | 4            | 2             | 200            | 90.8          | AIT-CS-2442        | 4             | 250            | 113.5         | AIT-CS-P-2442                |
| 24" x 48"                            | 610 x 1219   | 4            | 2             | 220            | 99.9          | AIT-CS-2448        | 4             | 255            | 115.8         | AIT-CS-P-2448                |
| 24" x 60"                            | 610 x 1524   | 4            | 2             | 245            | 111.2         | AIT-CS-2460        | 4             | 290            | 131.7         | AIT-CS-P-2460                |
| 24" x 72"                            | 610 x 1829   | 4            | 3             | 305            | 138.5         | AIT-CS-2472        | 6             | 380            | 172.5         | AIT-CS-P-2472                |
| 24" x 84"                            | 610 x 2134   | 6            | 3             | 320            | 145.3         | AIT-CS-2484        | 6             | 400            | 181.6         | AIT-CS-P-2484                |
| 24" x 96"                            | 610 x 2438   | 6            | 4             | 370            | 168.0         | AIT-CS-2496        | 8             | 475            | 215.6         | AIT-CS-P-2496                |
| 24" x 108"                           | 610 x 2743   | 6            | 4             | 395            | 179.3         | AIT-CS-24108       | 8             | 495            | 224.7         | AIT-CS-P-24108               |
| 24" x 120"                           | 610 x 3048   | 6            | 4             | 420            | 190.7         | AIT-CS-24120       | 8             | 520            | 236.1         | AIT-CS-P-24120               |
| 30" x 36"                            | 762 x 914    | 4            | 1             | 175            | 79.5          | AIT-CS-3036        | 2             | 200            | 90.8          | AIT-CS-P-3036                |
| 30" x 48"                            | 762 x 1219   | 4            | 2             | 250            | 113.5         | AIT-CS-3048        | 4             | 260            | 118.0         | AIT-CS-P-3048                |
| 30" x 60"                            | 762 x 1524   | 4            | 2             | 280            | 127.1         | AIT-CS-3060        | 4             | 320            | 145.3         | AIT-CS-P-3060                |
| 30" x 72"                            | 762 x 1829   | 4            | 3             | 340            | 154.4         | AIT-CS-3072        | 6             | 415            | 188.4         | AIT-CS-P-3072                |
| 30" x 84"                            | 762 x 2134   | 6            | 3             | 370            | 168.0         | AIT-CS-3084        | 6             | 490            | 222.5         | AIT-CS-P-3084                |
| 30" x 96"                            | 762 x 2438   | 6            | 4             | 425            | 193.0         | AIT-CS-3096        | 8             | 525            | 238.4         | AIT-CS-P-3096                |
| 30" x 108"                           | 762 x 2743   | 6            | 4             | 455            | 206.6         | AIT-CS-30108       | 8             | 555            | 252.0         | AIT-CS-P-30108               |
| 30" x 120"                           | 762 x 3048   | 6            | 4             | 485            | 220.2         | AIT-CS-30120       | 8             | 585            | 265.6         | AIT-CS-P-30120               |
| 36" x 36"                            | 914 x 914    | 4            | 1             | 185            | 84.0          | AIT-CS-3636        | 2             | 210            | 95.3          | AIT-CS-P-3636                |
| 36" x 48"                            | 914 x 1219   | 4            | 2             | 260            | 118.0         | AIT-CS-3648        | 4             | 305            | 138.5         | AIT-CS-P-3648                |
| 36" x 60"                            | 914 x 1524   | 4            | 2             | 290            | 131.7         | AIT-CS-3660        | 4             | 340            | 154.4         | AIT-CS-P-3660                |
| 36" x 72"                            | 914 x 1829   | 4            | 3             | 350            | 158.9         | AIT-CS-3672        | 6             | 425            | 193.0         | AIT-CS-P-3672                |
| 36" x 84"                            | 914 x 2134   | 6            | 3             | 385            | 174.8         | AIT-CS-3684        | 6             | 455            | 206.6         | AIT-CS-P-3684                |
| 36" x 96"                            | 914 x 2438   | 6            | 4             | 440            | 199.8         | AIT-CS-3696        | 8             | 540            | 245.2         | AIT-CS-P-3696                |
| 36" x 108"                           | 914 x 2743   | 6            | 4             | 470            | 213.4         | AIT-CS-36108       | 8             | 570            | 258.8         | AIT-CS-P-36108               |
| 36" x 120"                           | 914 x 3048   | 6            | 4             | 500            | 227.0         | AIT-CS-36120       | 8             | 600            | 272.4         | AIT-CS-P-36120               |

# AARON MANUFACTURING INC.