

AARON MANUFACTURING INC.

MIXER / SLICER TABLES MODEL # AMT SERIES

DATE: 8-17-04

STANDARD FEATURES

SPECIFICATION: Table tops are 14 gauge stainless steel all welded construction, with a high polished rolled edge, 14 gauge stainless steel hat channels underneath. Reinforcement is tack welded in place, along with threaded rivet studs and zinc or stainless acorn nuts.

(Sound deadening mastic underneath table tops is optional.)

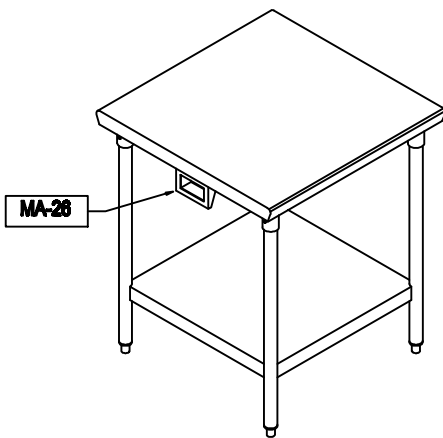
All undershelfing is 16 gauge stainless steel with 14 gauge reinforcement under. Stainless steel leg assemblies consists of 1-5/8" round 16 gauge stainless steel tubing with stainless bell gussets and adjustable bullet feet. 1-5/8" or 1" round 16 gauge stainless steel crossbracing from leg to leg where specified.

Economy series available: 16 gauge stainless tops and 18 gauge stainless undershelf.

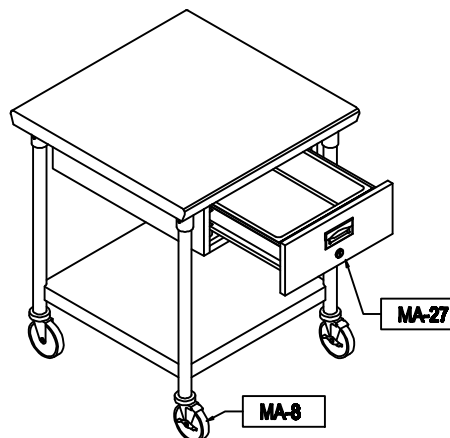
All fabrication per N.S.F. #2 standards.

Contact Aaron Bid Department for specific pricing for modified units and accessories.

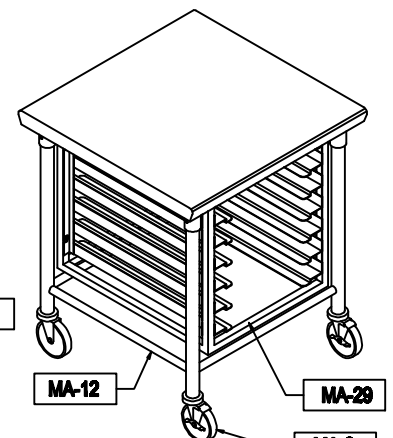
JOB NAME :	_____
LOCATION :	_____
ITEM #	_____
MODEL #	_____
QUANTITY :	_____



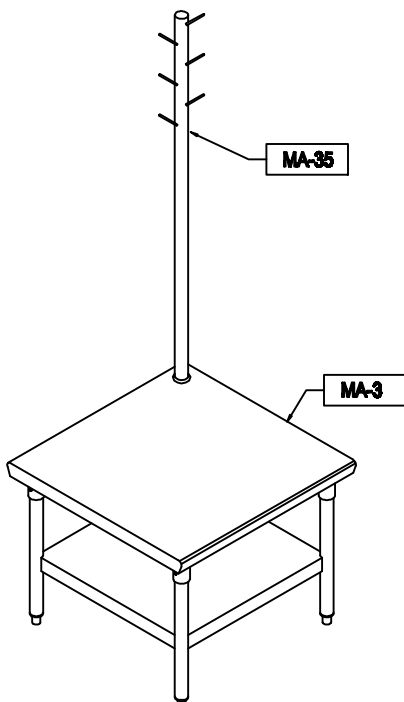
MODEL # AMT / AST SERIES
MIXER AND/OR SLICER STAND



OPTIONAL



OPTIONAL



MODEL # AMT SERIES
MIXER STAND

OPTIONS AND ACCESSORIES

- | MODEL # | DESCRIPTION |
|--------------------------------|---|
| <input type="checkbox"/> MA-1 | CUSTOM TABLE TOP |
| <input type="checkbox"/> MA-7 | S/S FLANGED FEET (In lieu of bullet feet) |
| | <input type="checkbox"/> WITH MOUNTING HOLES <input type="checkbox"/> WITHOUT |
| <input type="checkbox"/> MA-8 | SWIVEL CASTERS- <input type="checkbox"/> 5"Ø <input type="checkbox"/> 4"Ø |
| | <input type="checkbox"/> WITH BUMPER GUARDS |
| <input type="checkbox"/> MA-12 | S/S TUBE CROSSBRACING- <input type="checkbox"/> 1 5/8"Ø <input type="checkbox"/> 1"Ø |
| | <input type="checkbox"/> FRONT <input type="checkbox"/> SIDES <input type="checkbox"/> BACK |
| <input type="checkbox"/> MA-26 | S/S BRACKET WITH ELECTRICAL BOX FOR UTILITY OUTLET |
| <input type="checkbox"/> MA-27 | UTILITY DRAWER WITH S/S INSERT PAN |
| | <input type="checkbox"/> 20"x 20"x 5" dp. <input type="checkbox"/> 15"x 20"x 5" dp. <input type="checkbox"/> 12"x 20"x 6" dp. |
| <input type="checkbox"/> MA-29 | 16"x 26" AND 12"x 20" PAN STORAGE |
| <input type="checkbox"/> MA-35 | UTENSIL RACK |

AARON MANUFACTURING INC.