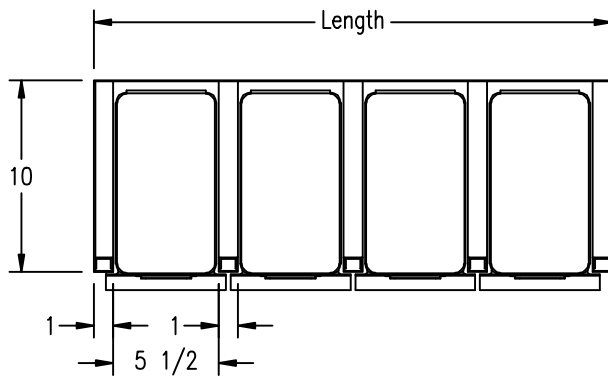


# AARON MANUFACTURING INC.

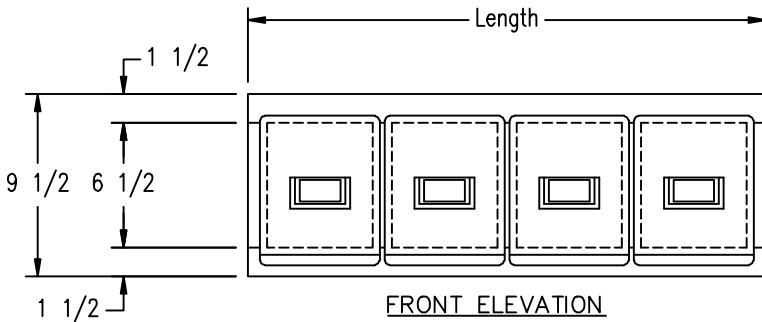
## CONDIMENT/SPICE BINS MODEL # ACB SERIES

DATE: 8-17-04

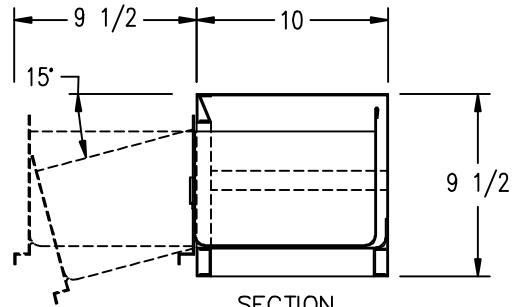


PLAN SECTIONAL VIEW

MODEL # ACB1-SERIES  
CONDIMENT/SPICE BIN- TYPE I

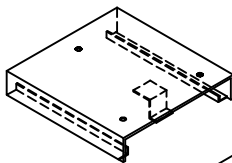


FRONT ELEVATION

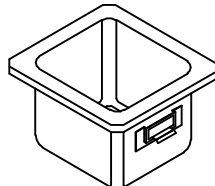


SECTION

MODEL # ACB1-SERIES SPECIFICATIONS					
length		# of bins	weight		model #
in.	mm		lbs.	kg.	
27"	686	4	56	25.4	ACB1-4-27
33 1/2"	851	5	70	31.8	ACB1-5-335
40"	1016	6	83	37.7	ACB1-6-40
46 1/2"	1181	7	96	43.6	ACB1-7-465
53"	1346	8	110	50.0	ACB1-8-53
59 1/2"	1511	9	125	56.8	ACB1-9-595
66"	1676	10	138	62.7	ACB1-10-66

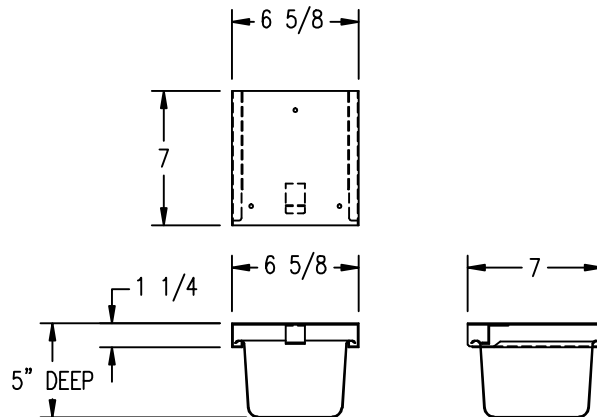


S/S MOUNTING BRACKET



S/S CONDIMENT / SPICE PAN

WEIGHT: 3.5#



MODEL # ACB2-SERIES  
CONDIMENT/SPICE BIN- TYPE II

# AARON MANUFACTURING INC.