

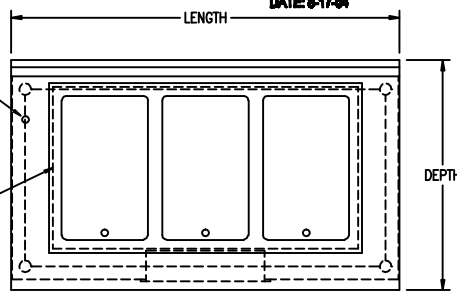
AARON MANUFACTURING INC.

HOT FOOD TABLES MODEL # AHT SERIES

DATE: 8-17-94

OPTIONAL:
DECK MOUNTED SINGLE SWING FILL FAUCET
(1" HOLE REQUIRED)

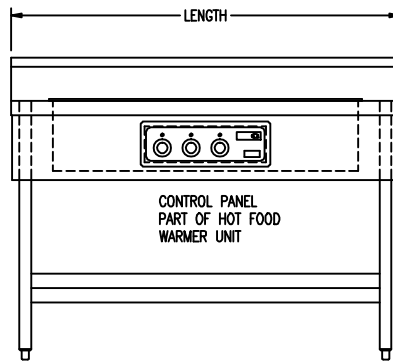
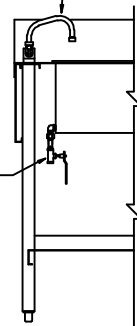
DROP-IN MODULAR HOT FOOD WARMER UNIT
VERIFY MAKE AND MODEL
SUPPLIED BY CUSTOMER OR OTHERS



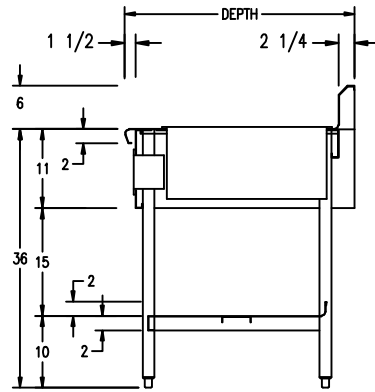
PLAN VIEW

OPTIONAL:
DECK MOUNTED SINGLE SWING FILL FAUCET
(1" HOLE REQUIRED)

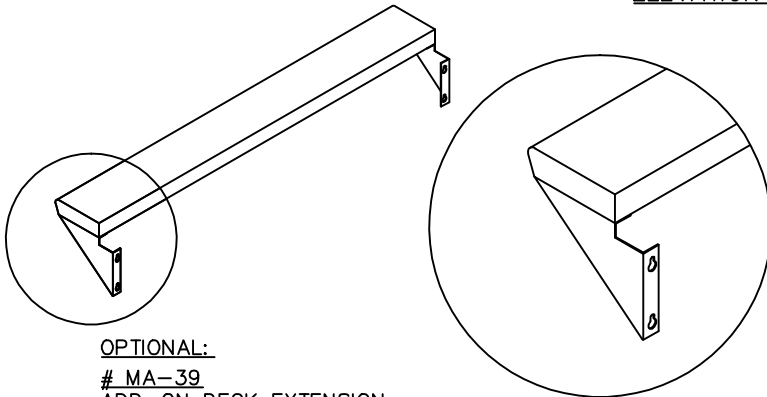
OPTIONAL:
1/2" 1/4 TURN BALL SHUT-OFF VALVE
MOUNTED BY OTHERS, UNLESS SPECIFIED
OTHERWISE



ELEVATION VIEW

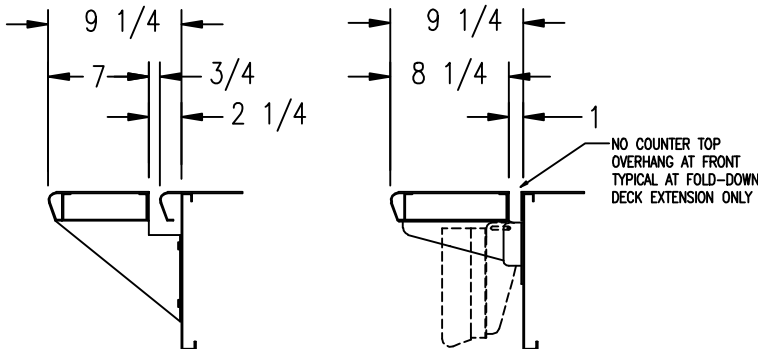


SECTION



OPTIONAL:
MA-39
ADD-ON DECK EXTENSION

BLOW-UP DETAIL



MA-39
ADD-ON DECK EXTENSION

MA-40
FOLD-DOWN DECK EXTENSION

MODEL # AHT-US SERIES SPECIFICATIONS						
depth x length in.	mm	hot food unit # of wells	# of legs	weight lbs.	kg.	model #
32" x 36"	813 x 914	2	4	50	22.7	AHT-3236-US
32" x 42"	813 x 1067	2	4	60	27.2	AHT-3242-US
32" x 48"	813 x 1219	2	4	70	31.8	AHT-3248-US
32" x 54"	813 x 1372	3	4	80	36.3	AHT-3254-US
32" x 60"	813 x 1524	3	4	90	40.8	AHT-3260-US
32" x 66"	813 x 1676	4	4	110	49.9	AHT-3266-US
32" x 72"	813 x 1829	4	4	120	54.5	AHT-3272-US
32" x 78"	813 x 1981	5	6	130	59.0	AHT-3278-US
32" x 84"	813 x 2134	5	6	140	63.5	AHT-3284-US
36" x 36"	813 x 914	2	4	55	24.9	AHT-3636-US
36" x 42"	813 x 1067	2	4	65	29.5	AHT-3642-US
36" x 48"	813 x 1219	2	4	75	34.0	AHT-3648-US
36" x 54"	813 x 1372	3	4	85	38.6	AHT-3654-US
36" x 60"	813 x 1524	3	4	95	43.1	AHT-3660-US
36" x 66"	813 x 1676	4	4	105	47.6	AHT-3666-US
36" x 72"	813 x 1829	4	4	115	52.2	AHT-3672-US
36" x 78"	813 x 1981	5	6	125	56.7	AHT-3678-US
36" x 84"	813 x 2134	5	6	135	61.2	AHT-3684-US

AARON MANUFACTURING INC.