

AARON MANUFACTURING INC.

WORK TABLES
WITH OPEN CABINETS
MODEL # AWT-CO SERIES

DATE: 8-17-04

STANDARD FEATURES

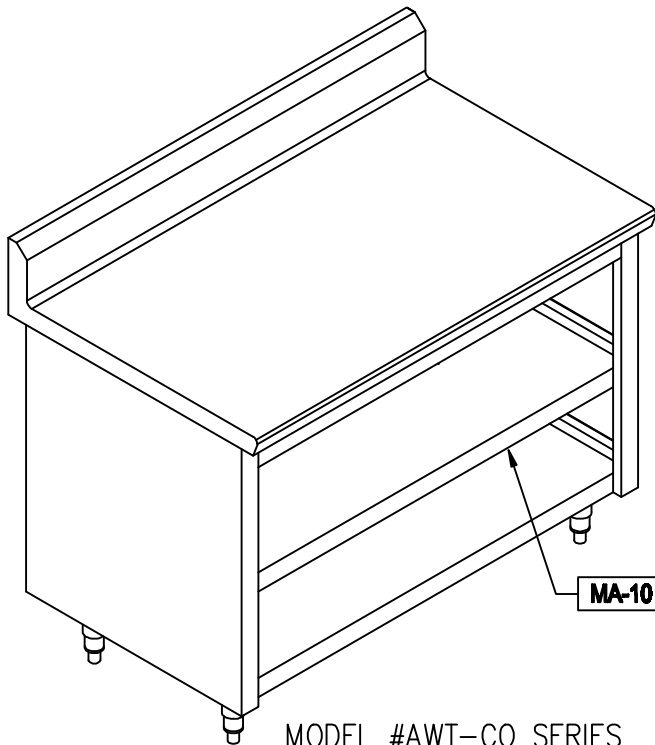
SPECIFICATION: Counter top is constructed of 14 gauge stainless steel. Cabinet and shelving constructed of 18 gauge stainless steel, with and 14 gauge steel channel reinforcement.

All cabinet interiors are sealed with clear silicone.

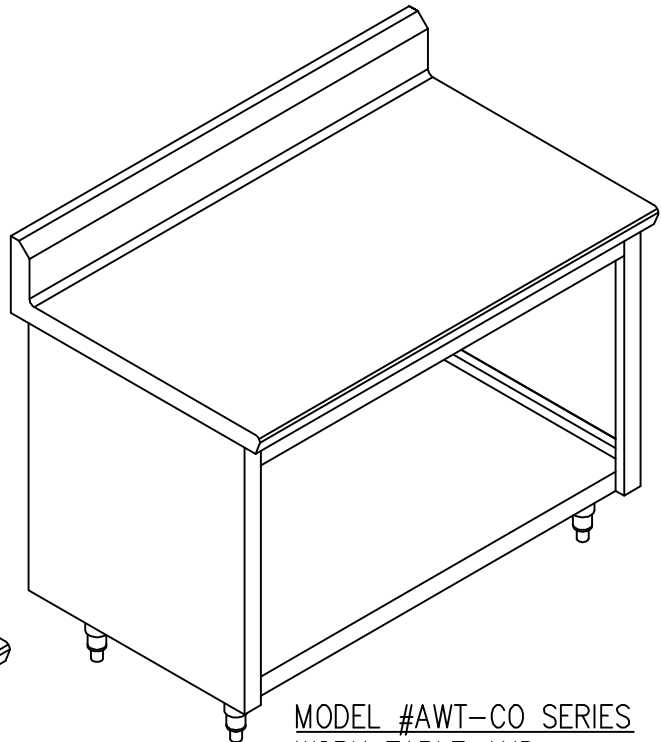
All fabrication per N.S.F. #2 standards.

Contact Aaron Bid Department for specific pricing for modified units and accessories.

JOB NAME :	_____
LOCATION :	_____
ITEM #	_____
MODEL #	_____
QUANTITY :	_____



MODEL #AWT-CO SERIES
WORK TABLE AND
OPEN CABINET WITH BOTTOM
AND INTERMEDIATE SHELVING



MODEL #AWT-CO SERIES
WORK TABLE AND
OPEN CABINET

OPTIONS AND ACCESSORIES

- | MODEL # | DESCRIPTION |
|---------------------------------|--|
| <input type="checkbox"/> AWT-CD | STAINLESS STEEL HINGED DOORS |
| <input type="checkbox"/> AWT-CS | STAINLESS STEEL SLIDING DOORS |
| <input type="checkbox"/> AWT-CO | OPEN CABINET |
| <input type="checkbox"/> MA-1 | CUSTOM TABLE TOP |
| <input type="checkbox"/> MA-2 | MARINE DECK |
| <input type="checkbox"/> MA-6 | 6" HIGH LEG ASSEMBLY |
| <input type="checkbox"/> MA-7 | S/S FLANGED FEET- <input type="checkbox"/> WITH HOLES <input type="checkbox"/> WITHOUT |
| <input type="checkbox"/> MA-10 | INTERMEDIATE SHELF |
| <input type="checkbox"/> MA-31 | CYLINDER LOCK (WITH LOCKING LATCH FOR MUTI-DOORS) |

AARON MANUFACTURING INC.

324 S. DIAMOND BAR BLVD., SUITE 879, DIAMOND BAR, CA 91765 * (877) 202-2766 * FAX (800) 498-6655