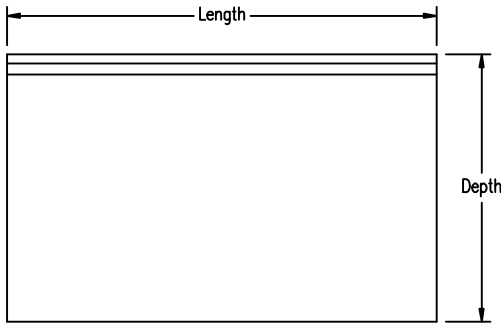


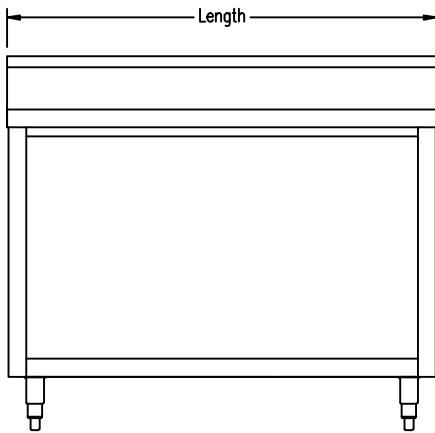
# AARON MANUFACTURING INC.

DATE: 8-17-04

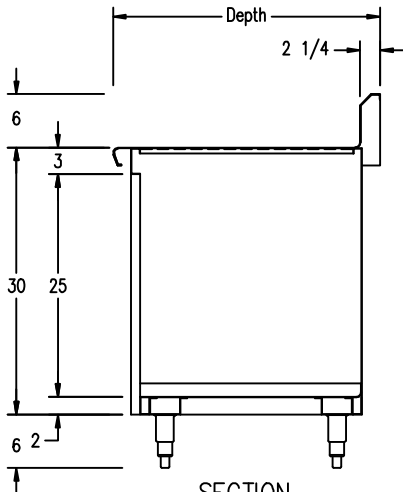
## WORK TABLES WITH OPEN CABINETS MODEL # AWT-CO SERIES



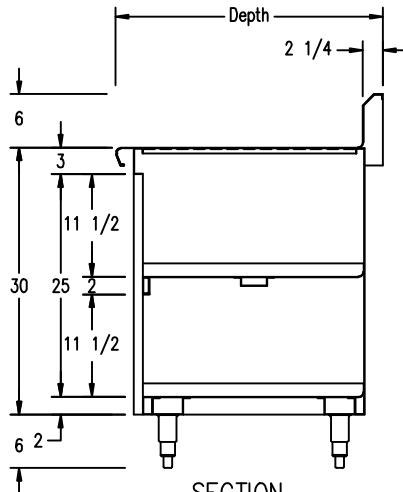
PLAN VIEW



FRONT ELEVATION VIEW



SECTION



SECTION  
OPTIONAL INTERMEDIATE SHELVING

MODEL # AWT-CO SERIES SPECIFICATIONS						
	depth x length		# of legs	weight		model # open cabinet
	in.	mm		lbs.	kg.	
	24" x 24"	610 x 610	4	85	38.6	AWT-CO-2424
	24" x 30"	610 x 762	4	105	47.7	AWT-CO-2430
	24" x 36"	610 x 914	4	130	59.0	AWT-CO-2436
	24" x 42"	610 x 1067	4	150	68.1	AWT-CO-2442
	24" x 48"	610 x 1219	4	170	77.2	AWT-CO-2448
	24" x 60"	610 x 1524	4	195	88.5	AWT-CO-2460
	24" x 72"	610 x 1829	4	200	90.8	AWT-CO-2472
	24" x 84"	610 x 2134	6	250	113.5	AWT-CO-2484
	24" x 96"	610 x 2438	6	275	124.8	AWT-CO-2496
	24" x 108"	610 x 2743	6	295	133.9	AWT-CO-24108
	24" x 120"	610 x 3048	6	320	145.3	AWT-CO-24120
	30" x 30"	762 x 762	4	125	56.8	AWT-CO-3030
	30" x 36"	762 x 914	4	150	68.1	AWT-CO-3036
	30" x 48"	762 x 1219	4	200	90.8	AWT-CO-3048
	30" x 60"	762 x 1524	4	230	104.4	AWT-CO-3060
	30" x 72"	762 x 1829	4	265	120.3	AWT-CO-3072
	30" x 84"	762 x 2134	6	295	133.9	AWT-CO-3084
	30" x 96"	762 x 2438	6	325	147.6	AWT-CO-3096
	30" x 108"	762 x 2743	6	355	161.2	AWT-CO-30108
	30" x 120"	762 x 3048	6	385	174.8	AWT-CO-30120
	36" x 36"	914 x 914	4	180	81.7	AWT-CO-3636
	36" x 48"	914 x 1219	4	210	95.3	AWT-CO-3648
	36" x 60"	914 x 1524	4	245	111.2	AWT-CO-3660
	36" x 72"	914 x 1829	4	275	124.9	AWT-CO-3672
	36" x 84"	914 x 2134	6	310	140.7	AWT-CO-3684
	36" x 96"	914 x 2438	6	340	154.4	AWT-CO-3696
	36" x 108"	914 x 2743	6	370	168.0	AWT-CO-36108
	36" x 120"	914 x 3048	6	400	181.6	AWT-CO-36120

AARON MANUFACTURING INC.