

AARON MANUFACTURING INC.

WORK TABLES AND
CABINETS WITH DOORS
MODEL # AWT-CD SERIES

DATE: 8-17-04

STANDARD FEATURES

SPECIFICATION: Counter top is constructed of 14 gauge stainless steel. Cabinet and shelving constructed of 18 gauge stainless steel, with and 14 gauge steel channel reinforcement.

Double paneled door is 18 gauge stainless steel outer pan, 20 gauge stainless steel inner pan, with fiberglass insulation inbetween.

Door with stainless steel lift-off pivot hinges, stainless door pull handle, and heavy duty ball type door catch..

All cabinet interiors are sealed with clear silicone.

All fabrication per N.S.F. #2 standards.

Contact Aaron Bid Department for specific pricing for modified units and accessories.

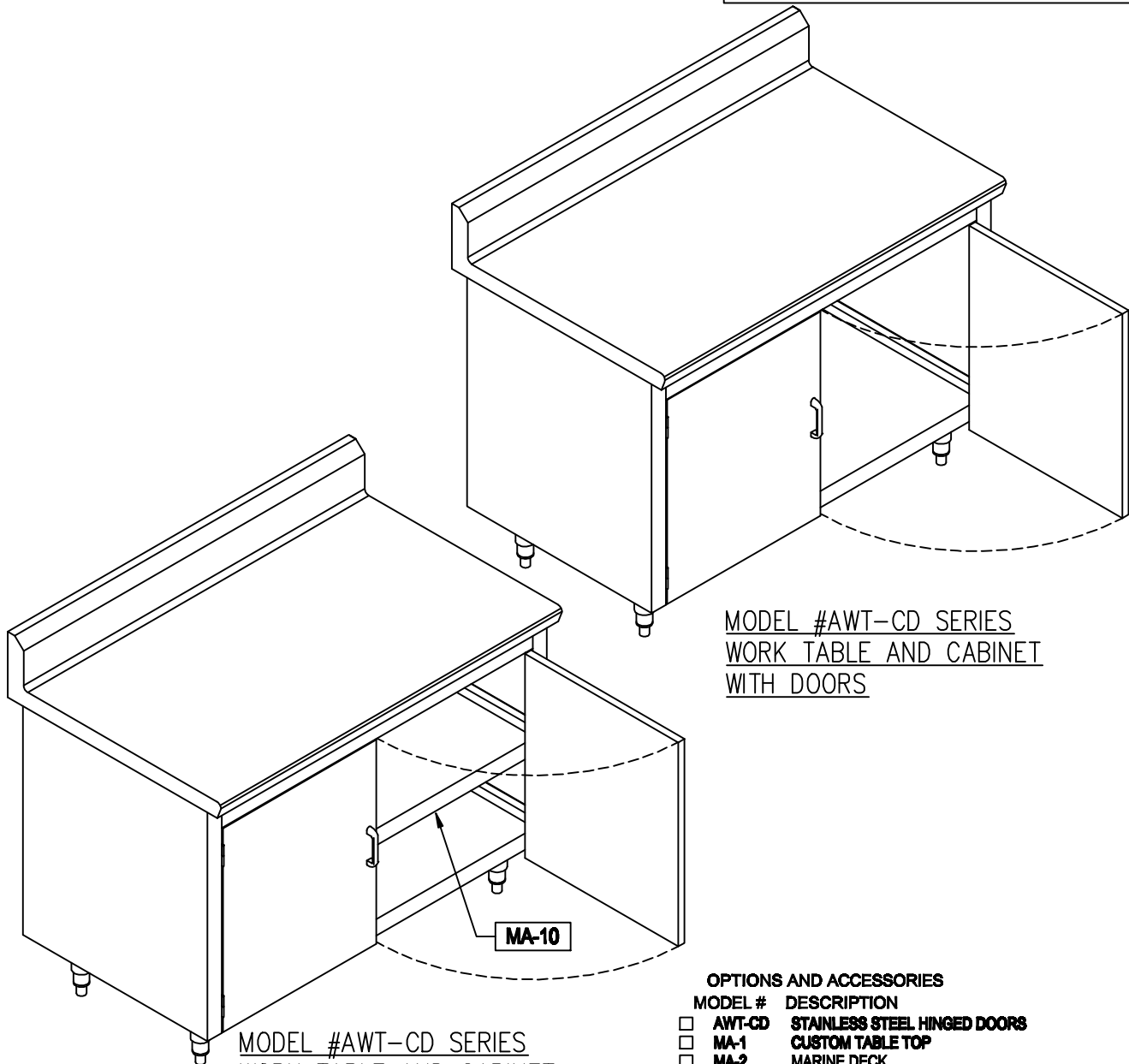
JOB NAME : _____

LOCATION : _____

ITEM # _____

MODEL # _____

QUANTITY : _____



MODEL #AWT-CD SERIES
WORK TABLE AND CABINET
WITH DOORS

MODEL #AWT-CD SERIES
WORK TABLE AND CABINET
WITH DDORS, BOTTOM
AND INTERMEDAITE SHELVING

OPTIONS AND ACCESSORIES

MODEL # DESCRIPTION

- AWT-CD STAINLESS STEEL HINGED DOORS
- MA-1 CUSTOM TABLE TOP
- MA-2 MARINE DECK
- MA-6 6" HIGH LEG ASSEMBLY
- MA-7 S/S FLANGED FEET- WITH HOLES WITHOUT
- MA-10 INTERMEDIATE SHELF
- MA-31 CYLINDER LOCK (WITH LOCKING LATCH FOR MUTI-DOORS)

AARON MANUFACTURING INC.

324 S. DIAMOND BAR BLVD., SUITE 879, DIAMOND BAR, CA 91765 * (877) 202-2766 * FAX (800) 498-6655

C.5