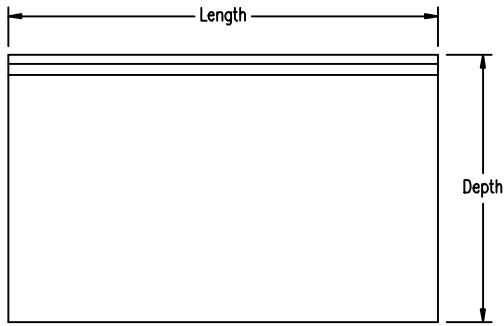


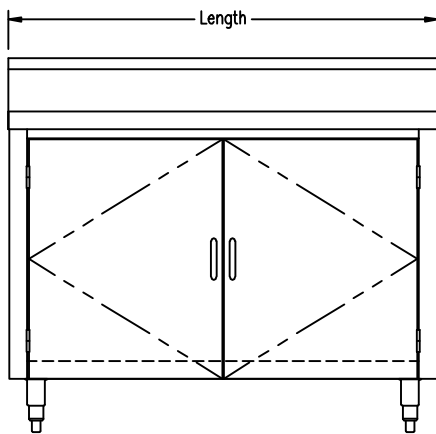
AARON MANUFACTURING INC.

DATE: 9-17-04

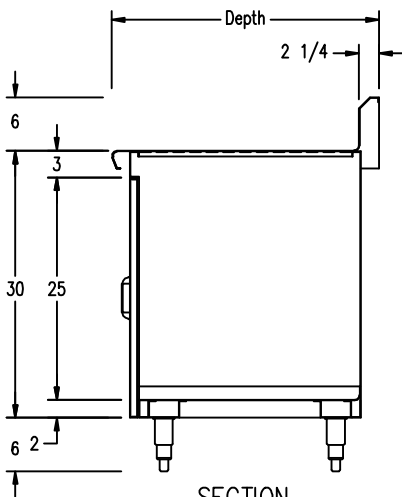
WORK TABLES AND CABINETS WITH DOORS MODEL # AWT-CD SERIES



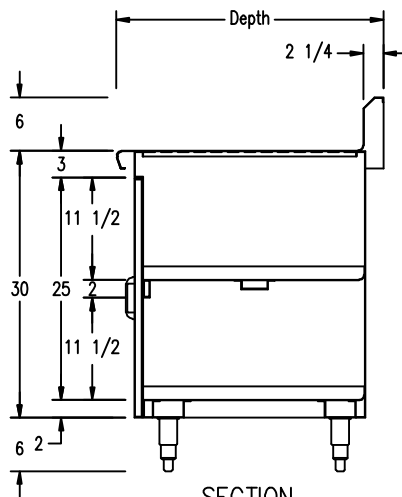
PLAN VIEW



FRONT ELEVATION VIEW



SECTION



SECTION
OPTIONAL INTERMEDIATE SHELVING

MODEL # AWT-CD SERIES SPECIFICATIONS							
depth x length		# of legs	weight		# of doors	model # cabinet	
in.	mm		lbs.	kg.			
24" x 24"	610 x 610	4	110	49.9	1	AWT-CD-2424	
24" x 30"	610 x 762	4	130	59.0	1	AWT-CD-2430	
24" x 36"	610 x 914	4	150	68.1	1	AWT-CD-2436	
24" x 42"	610 x 1067	4	200	90.8	2	AWT-CD-2442	
24" x 48"	610 x 1219	4	220	99.9	2	AWT-CD-2448	
24" x 60"	610 x 1524	4	245	111.2	2	AWT-CD-2460	
24" x 72"	610 x 1829	4	305	138.5	3	AWT-CD-2472	
24" x 84"	610 x 2134	6	320	145.3	3	AWT-CD-2484	
24" x 96"	610 x 2438	6	370	168.0	4	AWT-CD-2496	
24" x 108"	610 x 2743	6	395	179.3	4	AWT-CD-24108	
24" x 120"	610 x 3048	6	420	190.7	4	AWT-CD-24120	
30" x 30"	762 x 762	4	150	68.1	1	AWT-CD-3030	
30" x 36"	762 x 914	4	175	79.5	1	AWT-CD-3036	
30" x 48"	762 x 1219	4	250	113.5	2	AWT-CD-3048	
30" x 60"	762 x 1524	4	280	127.1	2	AWT-CD-3060	
30" x 72"	762 x 1829	4	340	154.4	3	AWT-CD-3072	
30" x 84"	762 x 2134	6	370	168.0	3	AWT-CD-3084	
30" x 96"	762 x 2438	6	425	193.0	4	AWT-CD-3096	
30" x 108"	762 x 2743	6	455	206.6	4	AWT-CD-30108	
30" x 120"	762 x 3048	6	485	220.2	4	AWT-CD-30120	
36" x 36"	914 x 914	4	185	84.0	1	AWT-CD-3636	
36" x 48"	914 x 1219	4	260	118.0	2	AWT-CD-3648	
36" x 60"	914 x 1524	4	290	131.7	2	AWT-CD-3660	
36" x 72"	914 x 1829	4	350	158.9	3	AWT-CD-3672	
36" x 84"	914 x 2134	6	385	174.8	3	AWT-CD-3684	
36" x 96"	914 x 2438	6	440	199.8	4	AWT-CD-3696	
36" x 108"	914 x 2743	6	470	213.4	4	AWT-CD-36108	
36" x 120"	914 x 3048	6	500	227.0	4	AWT-CD-36120	