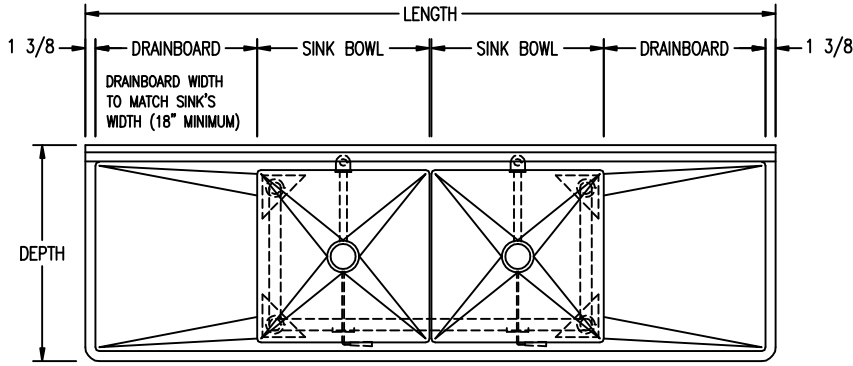


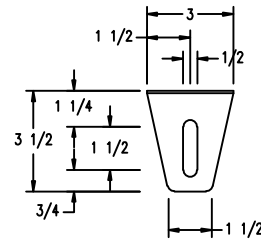
AARON MANUFACTURING INC.

DATE: 8-17-04

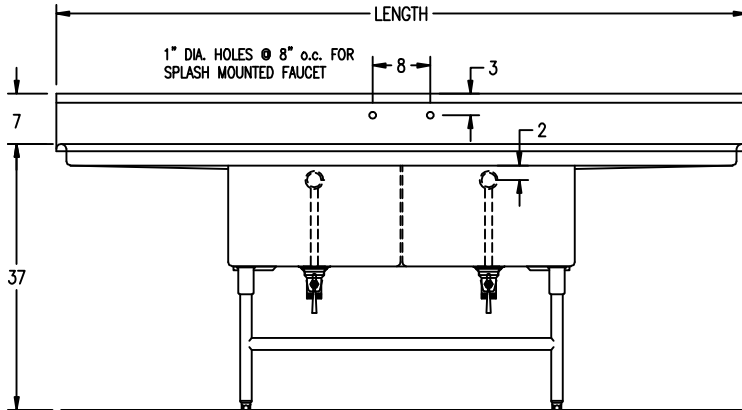
DOUBLE POT SINK TABLES MODEL # APS2-SERIES



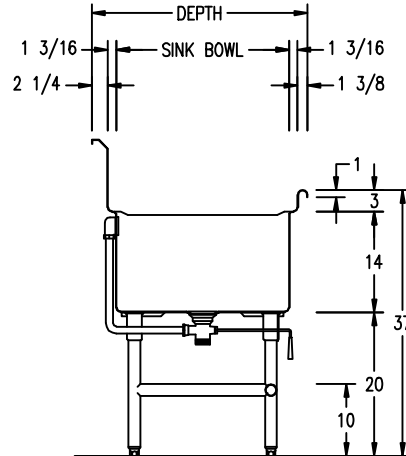
PLAN VIEW



UNIVERSAL S/S BRACKET FOR ROTARY WASTE



ELEVATION VIEW



SECTION

MODEL # APS2-SERIES DOUBLE POT SINK TABLE SPECIFICATIONS

	sink bowl size		drainboard length		length x depth		# of legs	weight		model #
	in.	mm	in.	mm	in.	mm		lbs.	kg.	
	18" x 20"	457 x 508	19-1/2"	495	78" x 26"	1981 x 660	4	110	49.9	APS2-182678-CB
	18" x 20"	457 x 508	22-1/2"	572	84" x 26"	2134 x 660	4	115	52.2	APS2-182684-CB
	18" x 20"	457 x 508	25-1/2"	648	90" x 26"	2286 x 660	4	125	56.7	APS2-182690-CB
	20" x 20"	508 x 508	20-1/2"	521	84" x 26"	2134 x 660	4	115	52.2	APS2-202684-CB
	20" x 20"	508 x 508	23-1/2"	597	90" x 26"	2286 x 660	4	120	54.4	APS2-202690-CB
	20" x 20"	508 x 508	26-1/2"	673	96" x 26"	2438 x 660	4	130	59.0	APS2-202696-CB
	18" x 24"	457 x 610	19-1/2"	495	78" x 30"	1981 x 762	4	115	52.2	APS2-183078-CB
	18" x 24"	457 x 610	22-1/2"	572	84" x 30"	2134 x 762	4	120	54.4	APS2-183084-CB
	18" x 24"	457 x 610	25-1/2"	648	90" x 30"	2286 x 762	4	130	59.0	APS2-183090-CB
	24" x 24"	610 x 610	19-1/2"	495	90" x 30"	2286 x 762	4	130	59.0	APS2-243090-CB
	24" x 24"	610 x 610	22-1/2"	572	96" x 30"	2438 x 762	4	135	61.2	APS2-243096-CB
	24" x 24"	610 x 610	25-1/2"	648	102" x 30"	2591 x 762	4	145	65.8	APS2-2430102-CB
	24" x 24"	610 x 610	29-1/2"	749	108" x 30"	2743 x 762	4	150	68.0	APS2-2430108-CB

AARON MANUFACTURING INC.