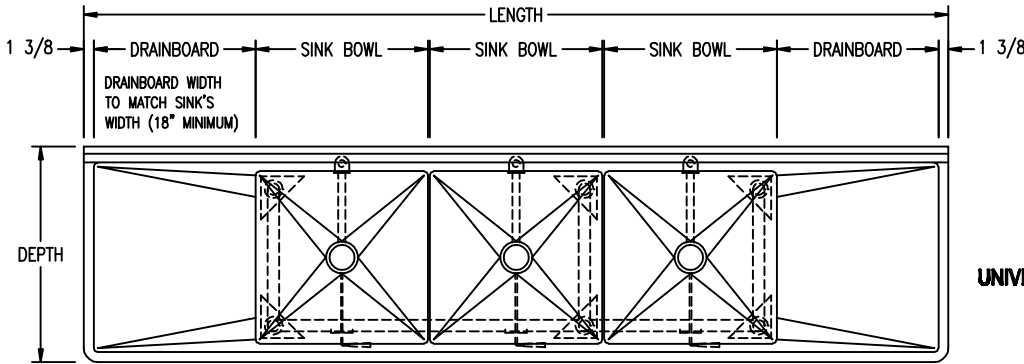


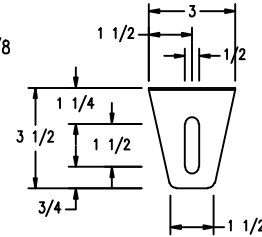
AARON MANUFACTURING INC.

DATE: 8-17-04

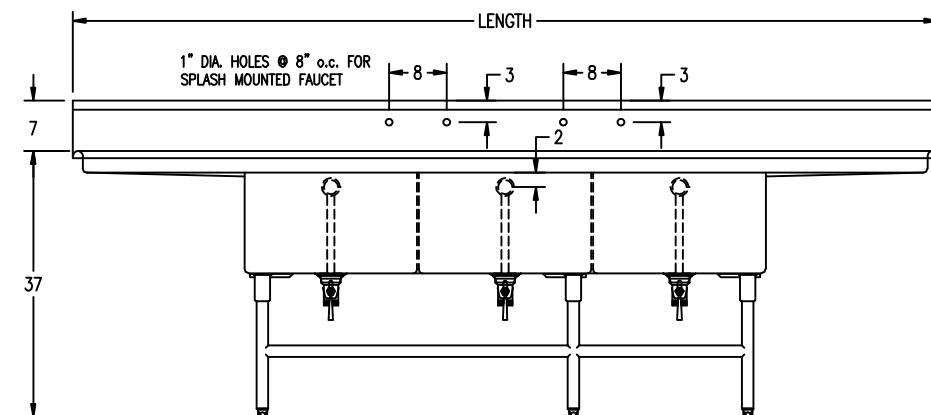
TRIPLE POT SINK TABLES MODEL # APS3-SERIES



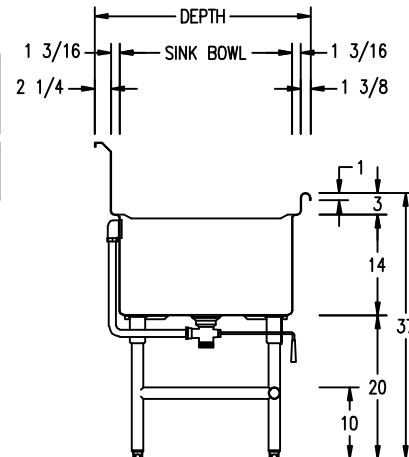
PLAN VIEW



UNIVERSAL S/S BRACKET FOR ROTARY WASTE



ELEVATION VIEW



SECTION

MODEL # APS3-SERIES TRIPLE POT SINK TABLE SPECIFICATIONS									
	sink bowl size		drainboard length		length x depth		# of legs	weight	model #
	in.	mm	in.	mm	in.	mm		lbs. kg.	
	18"x 20"	457 x 508	19-1/2"	495	96" x 26"	2438 x 660	4	140 63.5	APS3-182696-CB
	18"x 20"	457 x 508	22-1/2"	572	102" x 26"	2591 x 660	4	149 67.6	APS3-1826102-CB
	18"x 20"	457 x 508	25-1/2"	648	108" x 26"	2743 x 660	6	158 71.6	APS3-1826108-CB
	20"x 20"	508 x 508	19-1/2"	495	102" x 26"	2591 x 660	6	149 67.6	APS3-2026102-CB
	20"x 20"	508 x 508	22-1/2"	572	108" x 26"	2743 x 660	6	158 71.6	APS3-2026108-CB
	20"x 20"	508 x 508	25-1/2"	648	114" x 26"	2896 x 660	6	169 76.7	APS3-2026114-CB
	18"x 24"	457 x 610	19-1/2"	495	96" x 30"	2438 x 762	4	149 67.6	APS3-183096-CB
	18"x 24"	457 x 610	22-1/2"	572	102" x 30"	2591 x 762	4	158 71.6	APS3-1830102-CB
	18"x 24"	457 x 610	25-1/2"	648	108" x 30"	2743 x 762	6	169 76.7	APS3-1830108-CB
	24"x 24"	610 x 610	19-1/2"	495	114" x 30"	2896 x 762	6	152 68.9	APS3-2430114-CB
	24"x 24"	610 x 610	22-1/2"	572	120" x 30"	3048 x 762	6	162 73.5	APS3-2430120-CB
	24"x 24"	610 x 610	25-1/2"	648	126" x 30"	3200 x 762	6	177 80.3	APS3-2430126-CB

AARON MANUFACTURING INC.