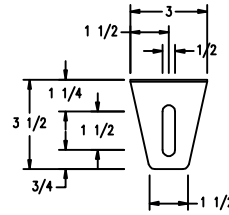


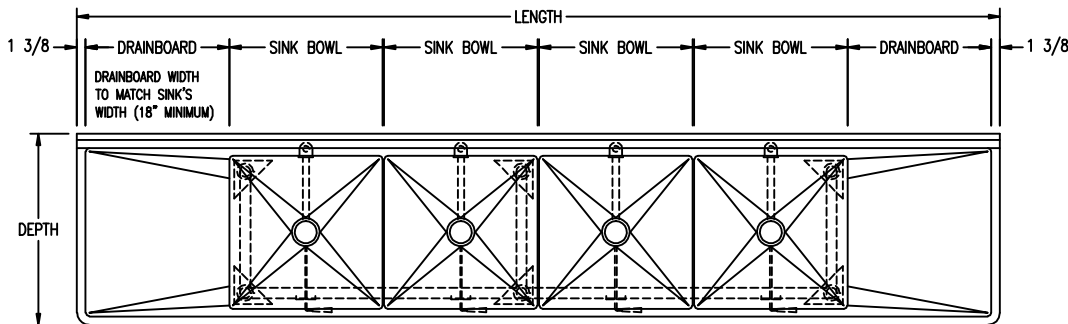
AARON MANUFACTURING INC.

DATE: 8-17-04

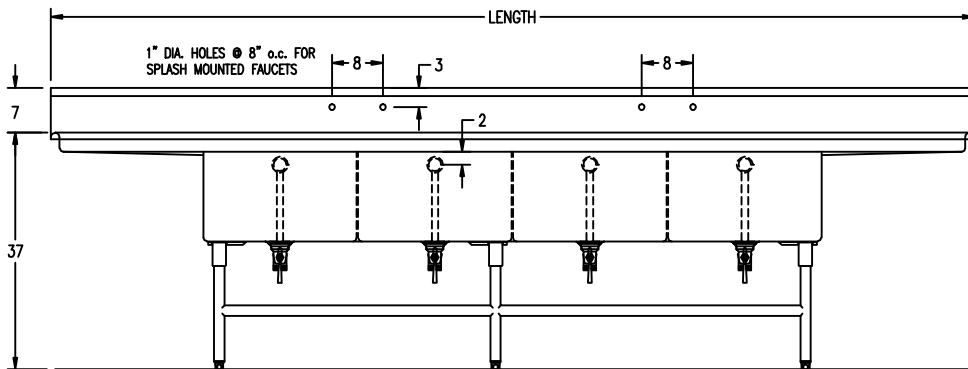
FOUR COMPARTMENT POT SINK TABLES MODEL # APS4-SERIES



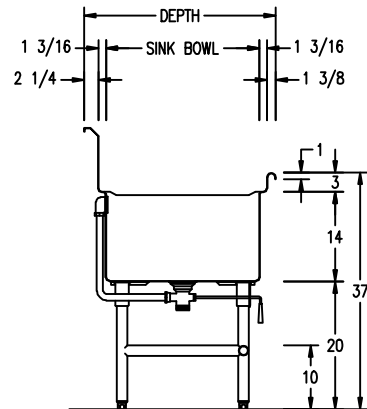
UNIVERSAL S/S BRACKET FOR ROTARY WASTE



PLAN VIEW



ELEVATION VIEW



SECTION

MODEL # APS4-SERIES FOUR COMPARTMENT POT SINK TABLE SPECIFICATIONS

	sink bowl size		drainboard		length x depth		# of legs	weight		model #
	in.	mm	in.	mm	in.	mm		lbs.	kg.	
	18" x 20"	457 x 508	19-1/2"	495	114" x 26"	2896 x 660	6	165	74.8	APS4-1826114-CB
	18" x 20"	457 x 508	22-1/2"	572	120" x 26"	3048 x 660	6	170	77.1	APS4-1826120-CB
	20" x 20"	508 x 508	21-1/2"	546	126" x 26"	3200 x 660	6	185	84.0	APS4-2026126-CB
	20" x 20"	508 x 508	24-1/2"	622	130" x 26"	3302 x 660	6	190	86.2	APS4-2026130-CB
	18" x 24"	457 x 610	19-1/2"	495	114" x 30"	2896 x 762	6	175	79.5	APS4-1830114-CB
	18" x 24"	457 x 610	22-1/2"	572	120" x 30"	3048 x 762	6	180	81.6	APS4-1830120-CB
	24" x 24"	610 x 610	24-1/2"	622	148" x 30"	3759 x 762	6	195	88.5	APS4-2430148-CB
	24" x 24"	610 x 610	27-1/2"	699	154" x 30"	3912 x 762	6	205	93.0	APS4-2430154-CB

AARON MANUFACTURING INC.

D.14 324 S. DIAMOND BAR BLVD., SUITE 879, DIAMOND BAR, CA 91765 * (877) 202-2766 * FAX (800) 498-6655