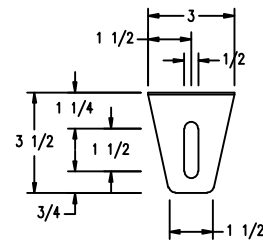
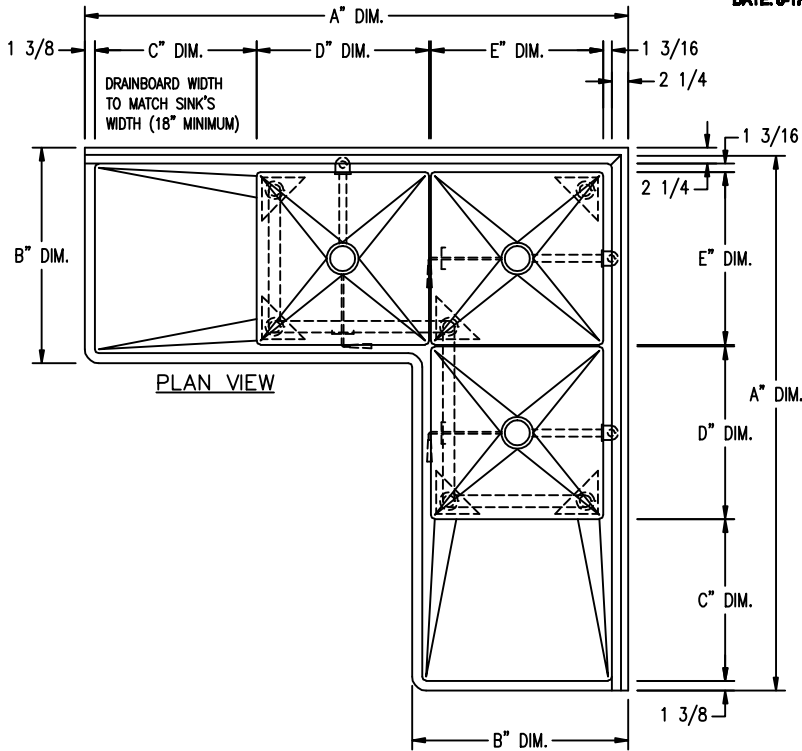


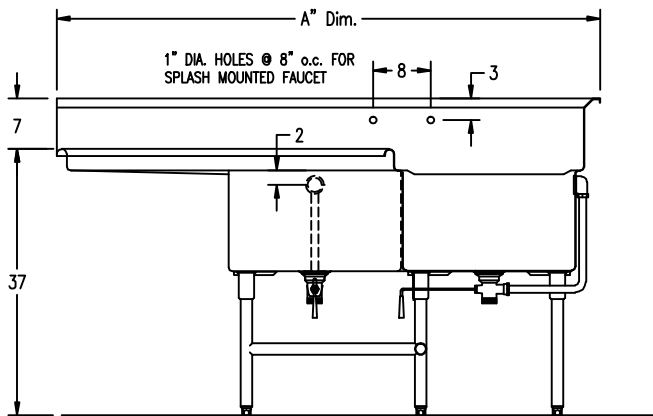
AARON MANUFACTURING INC.

CORNER POT SINK TABLES MODEL # APS3C SERIES

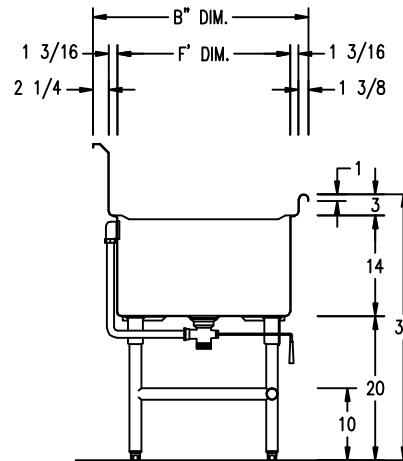
DATE: 8-17-04



UNIVERSAL S/S BRACKET FOR ROTARY WASTE



ELEVATION VIEW



SECTION

MODEL # ACPS-SERIES CORNER POT SINK TABLE SPECIFICATIONS													
	outer sink size		corner sink size		A" Dim.	B" Dim.	C" Dim.	D" Dim.	E" Dim.	# of	weight	model #	
	in.	mm	in.	mm	in.	in.	in.	in.	in.	legs	lbs.	kg.	
	18"x 20"	457 x 508	20"x 20"	508 x 508	62" 1575	26" 660	19" 483	18" 457	20" 508	6	155	70.3	APS3C-1820-62
	18"x 20"	457 x 508	20"x 20"	508 x 508	66" 1676	26" 660	23" 584	18" 457	20" 508	6	155	70.3	APS3C-1820-66
	20"x 20"	508 x 508	20"x 20"	508 x 508	66" 1676	26" 660	21" 533	20" 508	20" 508	6	155	70.3	APS3C-2020-66
	20"x 20"	508 x 508	20"x 20"	508 x 508	72" 1829	26" 660	27" 686	20" 508	20" 508	6	155	70.3	APS3C-2020-72
	18"x 24"	457 x 610	24"x 24"	610 x 610	62" 1575	30" 762	19" 483	18" 457	24" 610	6	155	70.3	APS3C-1824-62
	18"x 24"	457 x 610	24"x 24"	610 x 610	66" 1676	30" 762	23" 584	18" 457	24" 610	6	155	70.3	APS3C-1824-66
	20"x 24"	508 x 610	24"x 24"	610 x 610	72" 1829	30" 762	23" 584	20" 508	24" 610	6	155	70.3	APS3C-2024-72
	24"x 24"	610 x 610	24"x 24"	610 x 610	78" 1981	30" 762	25" 635	24" 610	24" 610	6	155	70.3	APS3C-2424-78

AARON MANUFACTURING INC.

D.16 324 S. DIAMOND BAR BLVD., SUITE 879, DIAMOND BAR, CA 91765 * (877) 202-2766 * FAX (800) 498-6655