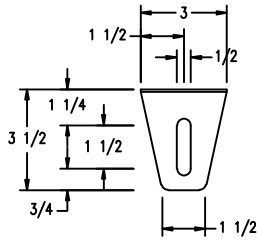


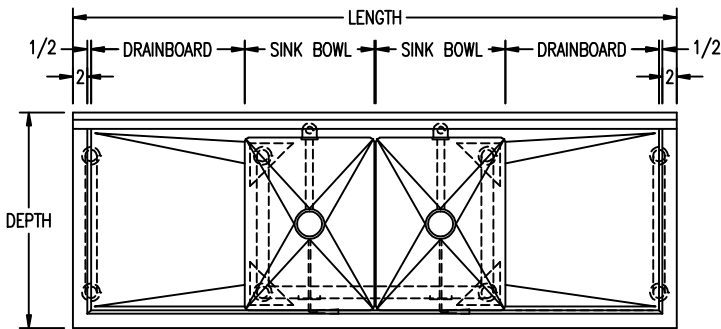
# AARON MANUFACTURING INC.

## PREPARATION SINK TABLES MODEL # APT SERIES

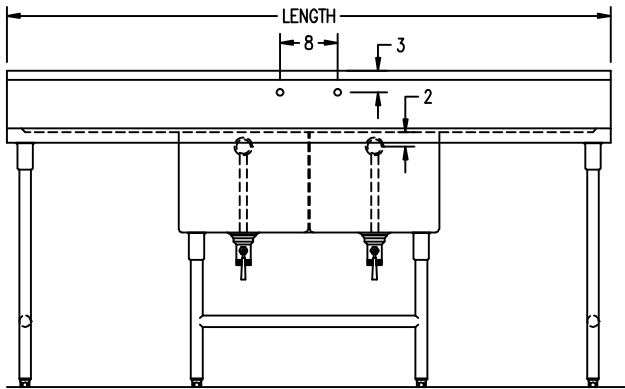
DATE: 8-17-04



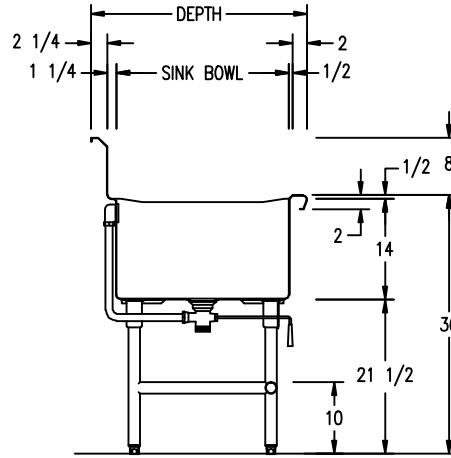
UNIVERSAL S/S BRACKET FOR ROTARY WASTE



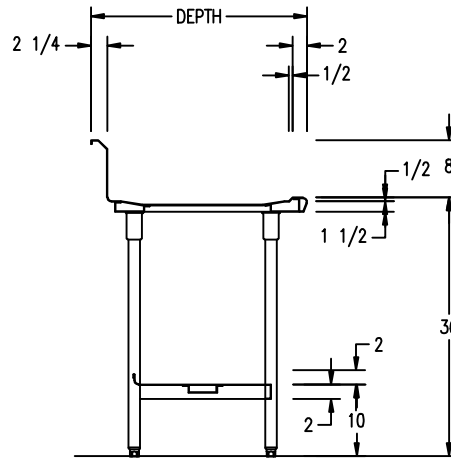
PLAN VIEW



ELEVATION VIEW



SECTION



SECTION

MODEL # APT SERIES PREP SINK TABLE SPECIFICATIONS												
sink bowl size in.	sink bowl size mm	# of bowls	drainboard length in.	drainboard length mm	# of drainboards	length x depth in.	length x depth mm	# of legs	weight lbs.	weight kg.	model #	
18" x 20"	457 x 508	2	18-1/2"	470	2	78" x 26"	1981 x 660	4	131	59.5	APT-182678-CB	
18" x 20"	457 x 508	2	21-1/2"	546	2	84" x 26"	2134 x 660	4	131	59.5	APT-182684-CB	
18" x 20"	457 x 508	2	24-1/2"	622	2	90" x 26"	2286 x 660	8	131	59.5	APT-182690-CB	
20" x 20"	508 x 508	2	19-1/2"	495	2	84" x 26"	2134 x 660	4	131	59.5	APT-202684-CB	
20" x 20"	508 x 508	2	22-1/2"	572	2	90" x 26"	2286 x 660	4	131	59.5	APT-202690-CB	
20" x 20"	508 x 508	2	25-1/2"	648	2	96" x 26"	2438 x 660	8	131	59.5	APT-202696-CB	
18" x 24"	457 x 610	2	18-1/2"	470	2	78" x 30"	1981 x 762	4	131	59.5	APT-183078-CB	
18" x 24"	457 x 610	2	21-1/2"	546	2	84" x 30"	2134 x 762	4	131	59.5	APT-183084-CB	
18" x 24"	457 x 610	2	24-1/2"	622	2	90" x 30"	2286 x 762	8	131	59.5	APT-183090-CB	
24" x 24"	610 x 610	2	18-1/2"	470	2	90" x 30"	2286 x 762	4	131	59.5	APT-243096-CB	
24" x 24"	610 x 610	2	21-1/2"	546	2	96" x 30"	2438 x 762	4	131	59.5	APT-243096-CB	
24" x 24"	610 x 610	2	24-1/2"	622	2	102" x 30"	2591 x 762	8	141	64.0	APT-2430102-CB	
24" x 24"	610 x 610	2	28-1/2"	724	2	108" x 30"	2743 x 762	8	151	68.5	APT-2430108-CB	

AARON MANUFACTURING INC.