

AARON MANUFACTURING INC.

PORTABLE SOAK SINK AND SINGLE TUB SOAK SINK

DATE: 8-17-04

STANDARD FEATURES

SPECIFICATION: Table tops and sinks are 14 gauge stainless steel all welded construction, with a high polish at rolled edges, and 14 gauge stainless steel hat channels underneath. Reinforcement is tack welded in place, along with threaded rivet studs and zinc or stainless acorn nuts.

(Sound deadening mastic underneath table tops is optional.)

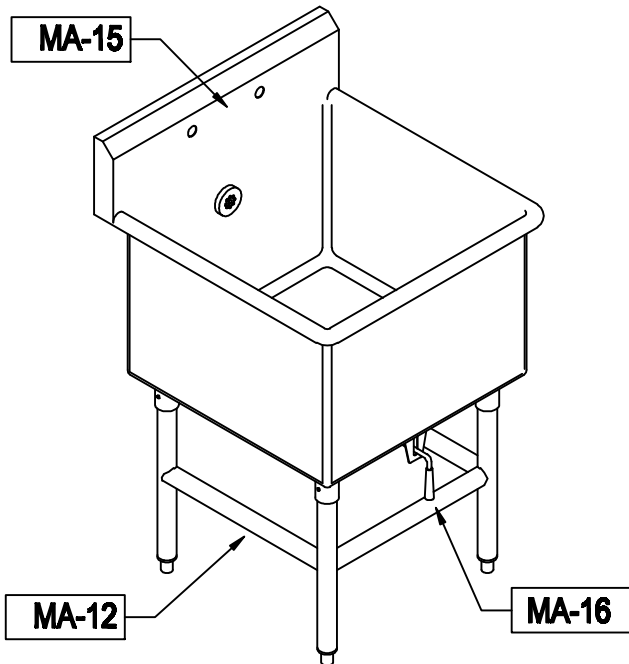
Stainless steel leg assemblies consists of 1-5/8" round 16 gauge stainless steel tubing with stainless bell gussets and adjustable bullet feet. 1-5/8" or 1" round 16 gauge stainless steel crossbracing from leg to leg where specified.

Economy series available: 16 gauge tops and sinks

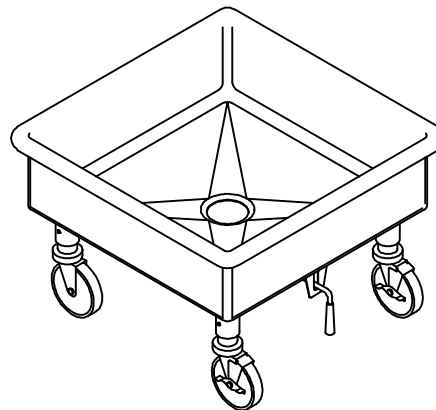
All fabrication per N.S.F. #2 standards.

Contact Aaron Bid Department for specific pricing on modified units and accessories.

JOB NAME :	_____
LOCATION :	_____
ITEM #	_____
MODEL #	_____
QUANTITY :	_____



MODEL # ASS1-SERIES
SINGLE TUB SOAK SINK TABLE



MODEL # ASSP-SERIES
PORTABLE SOAK SINK

OPTIONS AND ACCESSORIES

- | MODEL # | DESCRIPTION |
|--------------------------------|---|
| <input type="checkbox"/> MA-4 | CUSTOM BACKSPLASH (Verify style and height) |
| <input type="checkbox"/> MA-5 | END SPLASH- <input type="checkbox"/> LEFT <input type="checkbox"/> RIGHT |
| <input type="checkbox"/> MA-7 | S/S FLANGED FEET (In lieu of bullet feet)
<input type="checkbox"/> WITH MOUNTING HOLES <input type="checkbox"/> WITHOUT |
| <input type="checkbox"/> MA-15 | SPLASH MOUNTED FAUCET (8" o.c. mounting)
SWING SPOUT SIZE- <input type="checkbox"/> 6" <input type="checkbox"/> 8" <input type="checkbox"/> 10" <input type="checkbox"/> 12" <input type="checkbox"/> 14" |
| <input type="checkbox"/> MA-16 | DRAIN ASSEMBLY
<input type="checkbox"/> 2" ROTARY WASTE <input type="checkbox"/> WITH OVERFLOW ASSEMBLY
<input type="checkbox"/> 2" WASTE WITH STRAINER BASKET (3-1/2" Ø HOLE)
<input type="checkbox"/> 2" WASTE |
| <input type="checkbox"/> MA-17 | S/S SINK COVER (Per sink size) |
| <input type="checkbox"/> MA-18 | S/S SINK COVER STORAGE SLIDES |

AARON MANUFACTURING INC.

324 S. DIAMOND BAR BLVD., SUITE 879, DIAMOND BAR, CA 91765 * (877) 202-2766 * FAX (800) 498-6655