

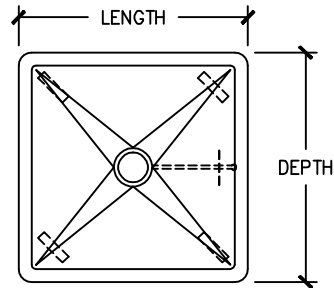
AARON MANUFACTURING INC.

DATE: 8-17-04

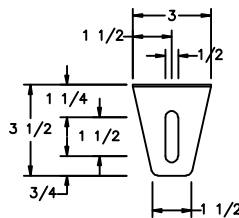
PORTABLE SOAK SINK AND SINGLE TUB SOAK SINK

MODEL # ASSP-SERIES PORTABLE SOAK SINK SPECIFICATIONS							
sink bowl size	length x depth	# of legs	weight		model #		
			in.	mm		lbs.	kg.
20" x 20"	508 x 508	22 3/4" sq.	578 sq.	4	40	18.1	ASSP-2020
22" x 22"	559 x 559	24 3/4" sq.	629 sq.	4	45	20.4	ASSP-2222
24" x 24"	610 x 610	26 3/4" sq.	679 sq.	4	50	22.7	ASSP-2424

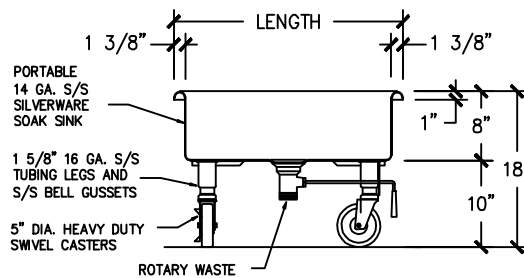
NOTE: LEVER WASTES AND CASTERS ARE STANDARD FOR PORTABLE SOAK SINKS



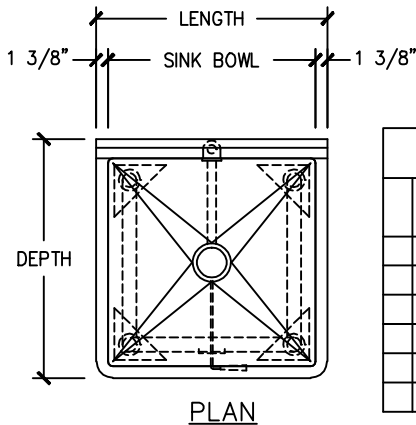
PLAN



UNIVERSAL S/S BRACKET FOR ROTARY WASTE



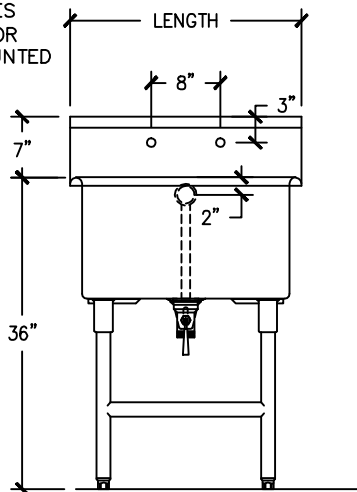
ELEVATION



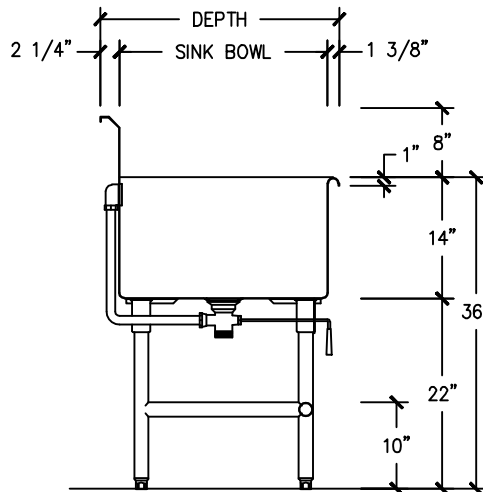
PLAN

MODEL # ASS1-SERIES SINGLE TUB SOAK SINK SPECIFICATIONS							
sink bowl size	length x depth	# of legs	weight		model #		
			in.	mm		lbs.	kg.
18" x 20"	457 x 508	20 3/4" x 26"	527 x 660	4	60	27.2	ASS1-1820
20" x 20"	508 x 508	22 3/4" x 26"	578 x 660	4	65	29.5	ASS1-2020
18" x 24"	457 x 610	20 3/4" x 30"	527 x 762	4	65	29.5	ASS1-2222
20" x 24"	508 x 610	22 3/4" x 30"	578 x 762	4	70	31.8	ASS1-2424
24" x 24"	610 x 610	26 3/4" x 30"	679 x 762	4	75	34.0	ASS1-2424

1" DIA. HOLES @ 8" o.c. FOR SPLASH MOUNTED FAUCET



ELEVATION



SECTION

AARON MANUFACTURING INC.