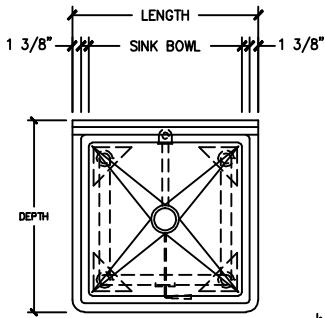


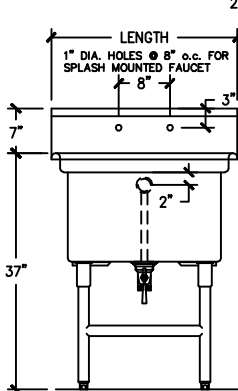
AARON MANUFACTURING INC.

SINGLE SINK TABLES MODEL # APS1 SERIES

DATE: 8-17-04

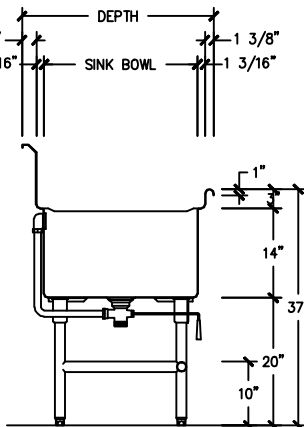


PLAN VIEW

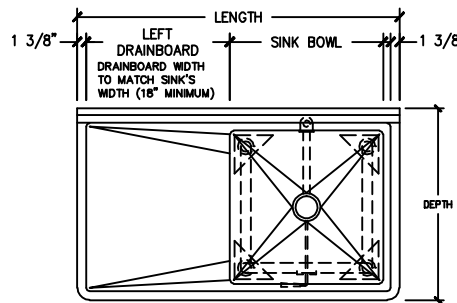


ELEVATION VIEW

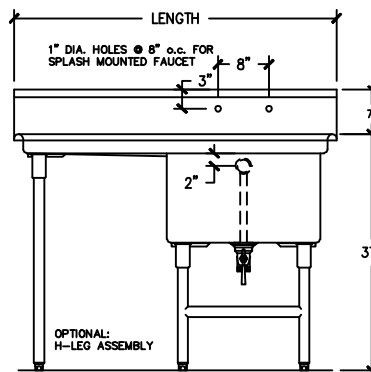
MODEL # APS1-ND SERIES



SECTION

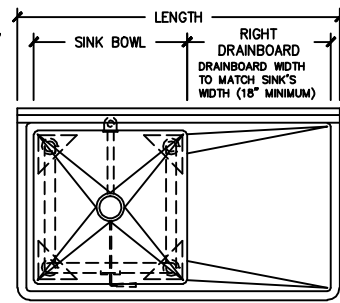


PLAN VIEW

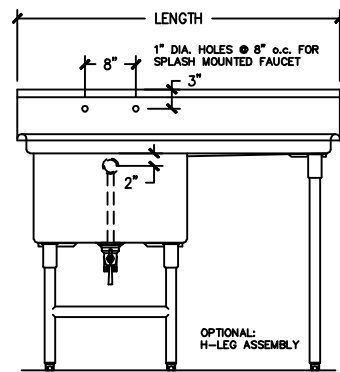


ELEVATION VIEW

MODEL # APS1-LD SERIES

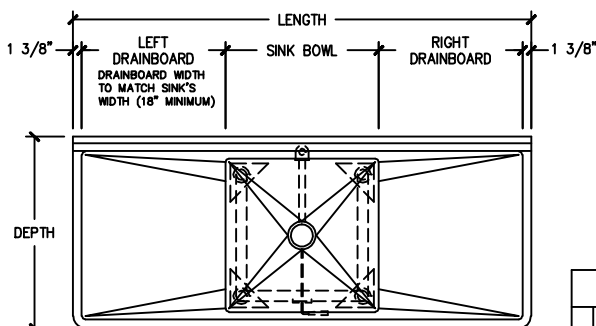


PLAN VIEW

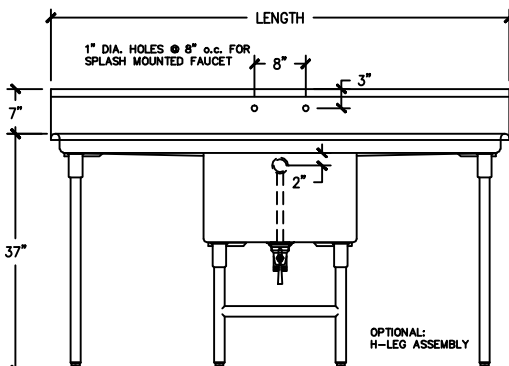


ELEVATION VIEW

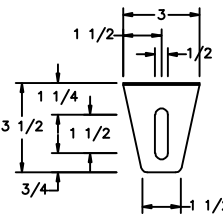
MODEL # APS1-RD SERIES



PLAN VIEW



ELEVATION VIEW



UNIVERSAL S/S BRACKET FOR ROTARY WASTE

MODEL # APS-SERIES POT SINK TABLE SPECIFICATIONS

sink bowl size	drainboard length	# of	length x depth	# of	weight	model #		
in.	mm	drainboards	in.	mm	lbs.	kg.		
18" x 20"	457 x 508	X	0	23 1/8" x 26"	1981 x 660	4 60 27.2	APS1-1820-ND	
18" x 20"	457 x 508	18"	457	1	40" x 26"	1016 x 660	4 65 29.5	APS1-1820-LD/RD
18" x 20"	457 x 508	18"	457	2	57" x 26"	1448 x 660	4 70 31.8	APS1-1820-DD
20" x 20"	508 x 508	X	X	0	25 1/8" x 26"	2134 x 660	4 65 29.5	APS1-2020-ND
20" x 20"	508 x 508	20"	508	1	44" x 26"	1118 x 660	4 70 31.8	APS1-2020-LD/RD
20" x 20"	508 x 508	20"	508	2	63" x 26"	1600 x 660	4 75 34.0	APS1-2020-DD
18" x 24"	457 x 610	18-1/2"	470	0	23 1/8" x 30"	1981 x 762	4 70 31.8	APS1-1824-ND
18" x 24"	457 x 610	21-1/2"	546	1	40" x 30"	1016 x 762	4 75 34.0	APS1-1824-LD/RD
18" x 24"	457 x 610	24-1/2"	622	2	57" x 30"	1448 x 762	4 80 36.3	APS1-1824-DD
24" x 24"	610 x 610	18-1/2"	470	0	25 1/8" x 30"	2134 x 762	4 75 34.0	APS1-2424-ND
24" x 24"	610 x 610	21-1/2"	546	1	44" x 30"	1118 x 762	4 80 36.3	APS1-2424-LD/RD
24" x 24"	610 x 610	24-1/2"	622	2	63" x 30"	1600 x 762	4 85 38.6	APS1-2424-DD

AARON MANUFACTURING INC.

D.8 324 S. DIAMOND BAR BLVD., SUITE 879, DIAMOND BAR, CA 91765 * (877) 202-2766 * FAX (800) 498-6655