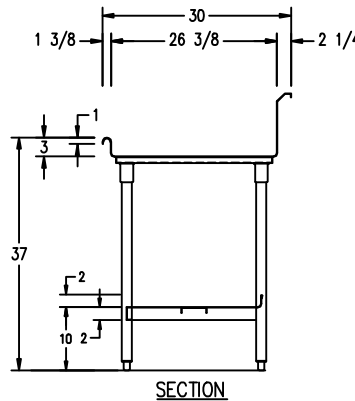
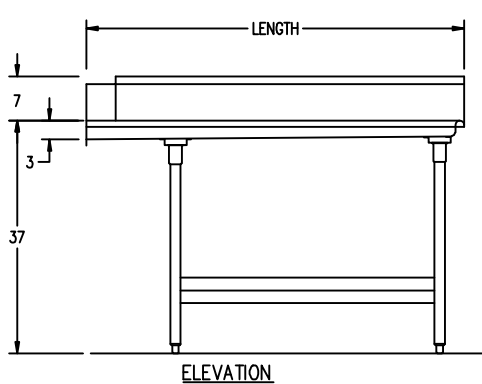
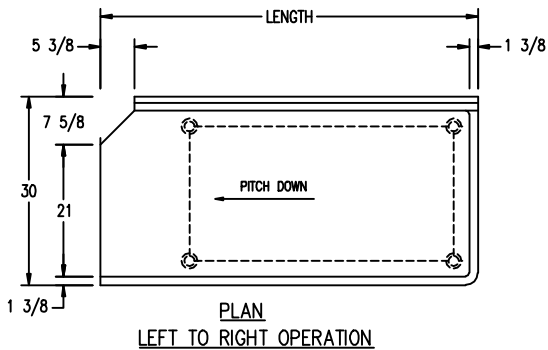
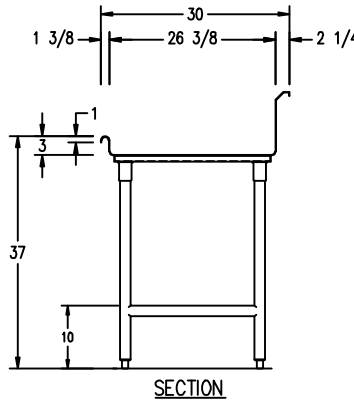
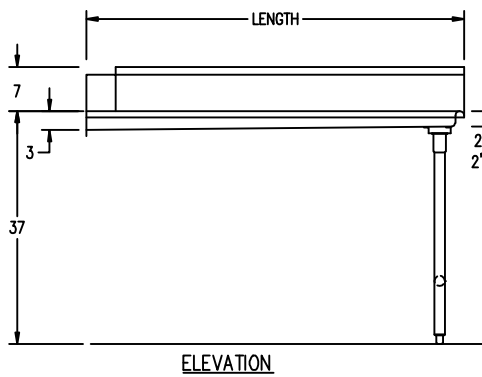
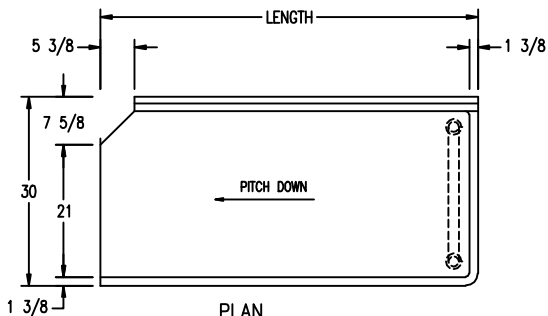


AARON MANUFACTURING INC.

CLEAN DISH TABLES MODEL # ACT1 SERIES

DATE: 8-17-04

MODEL # ACT1-CB SERIES SPECIFICATIONS					
length		# of	weight		model #
in.	mm	legs	lbs.	kg.	left to right
24"	610	2	36	16.3	ACT1L-24-CB
30"	762	2	39	17.6	ACT1L-30-CB
36"	914	2	41	18.6	ACT1L-36-CB
42"	1067	2	49	22.2	ACT1L-42-CB
48"	1219	2	57	25.9	ACT1L-48-CB
60"	1524	2	71	32.2	ACT1L-60-CB
72"	1829	2	80	36.3	ACT1L-72-CB
84"	2134	4	91	41.3	ACT1L-84-CB
96"	2438	4	114	51.7	ACT1L-96-CB
108"	2743	4	120	54.4	ACT1L-108-CB
120"	3048	4	131	59.4	ACT1L-120-CB



MODEL # US UNDERSHELF SPECIFICATIONS					
length		# of	weight		model #
in.	mm	legs	lbs.	kg.	
24"	610	4	15	6.8	24US
30"	762	4	20	9.0	30US
36"	914	4	25	11.4	36US
42"	1067	4	30	13.6	42US
48"	1219	4	35	15.9	48US
60"	1524	4	40	18.1	60US
72"	1829	6	50	22.7	72US
84"	2134	6	55	24.9	84US
96"	2438	6	60	27.2	96US
108"	2743	6	65	29.5	108US

NOTE:
WHEN ORDERING OR SPECIFYING A
UNDERSHELF FOR CLEAN DISH TABLE,
DELETE 'CB' FROM MODEL NUMBER, AND
ADD 'US' IN ITS PLACE.
EXAMPLE: MODEL # ACT1L-72-48US

AARON MANUFACTURING INC.