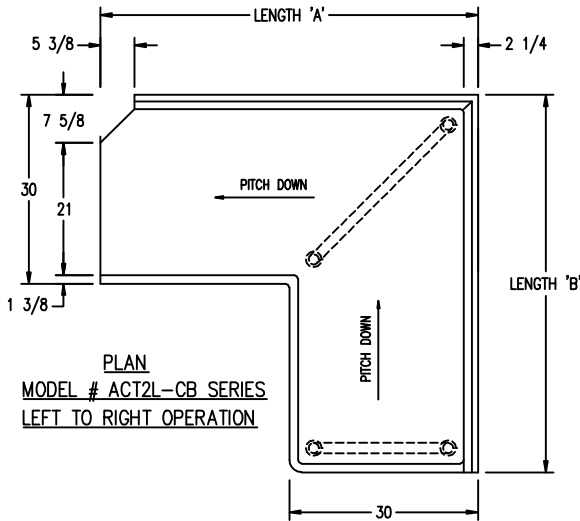


AARON MANUFACTURING INC.

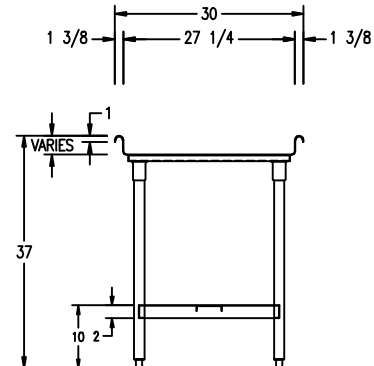
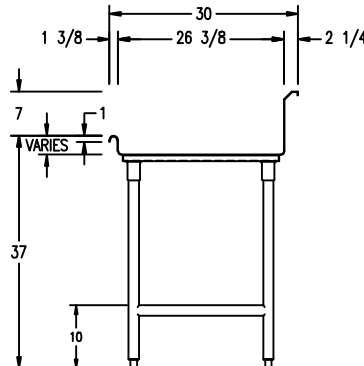
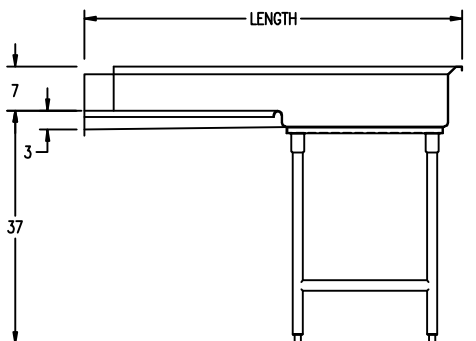
CORNER TYPE CLEAN DISH TABLES MODELS # ACT2 & ACT3

DATE: 8-17-04

MODEL # ACT(L/R)-C SERIES SPECIFICATIONS		
model # left to right		model # right to left
ACT2L-42 x -CB		ACT2R-42 x -CB
ACT2L-48 x -CB		ACT2R-48 x -CB
ACT2L-60 x -CB		ACT2R-60 x -CB
ACT2L-66 x -CB		ACT2R-66 x -CB
ACT2L-72 x -CB		ACT2R-72 x -CB
ACT2L-84 x -CB		ACT2R-84 x -CB
ACT2L-96 x -CB		ACT2R-96 x -CB
ACT2L-120 x -CB		ACT2R-120 x -CB



length 'A' in.	length 'A' mm	length 'B' in.	length 'B' mm	A" x B" in.	A" x B" mm	weight lbs.	weight kg.
42"	1067	42"	1067	42" x 60"	1067 x 1524	110	50.0
48"	1219	48"	1219	48" x 60"	1219 x 1524	120	54.5
60"	1524	60"	1524	60" x 60"	1524 x 1524	130	59.0
72"	1829	72"	1829	72" x 60"	1829 x 1524	140	63.5
84"	2134	84"	2134	84" x 60"	2134 x 1524	150	68.1
96"	2438	96"	2438	96" x 60"	2438 x 1524	160	72.6
108"	2743	108"	2743	108" x 60"	2738 x 1524	170	77.1
120"	3048	120"	3048	120" x 60"	3048 x 1524	180	81.6



MODEL # US UNDERSHELF SPECIFICATIONS					
length in.	length mm	# of legs	weight lbs.	weight kg.	model #
24"	610	4	15	6.8	24US
30"	762	4	20	9.0	30US
36"	914	4	25	11.4	36US
42"	1067	4	30	13.6	42US
48"	1219	4	35	15.9	48US
60"	1524	4	40	18.1	60US
72"	1829	6	50	22.7	72US
84"	2134	6	55	24.9	84US
96"	2438	6	60	27.2	96US
108"	2743	6	65	29.5	108US

MODEL # ACT3 SERIES SPECIFICATIONS		
model # left to right		model # right to left
ACT3L-42 x -CB		ACT3R-42 x -CB
ACT3L-48 x -CB		ACT3R-48 x -CB
ACT3L-60 x -CB		ACT3R-60 x -CB
ACT3L-66 x -CB		ACT3R-66 x -CB
ACT3L-72 x -CB		ACT3R-72 x -CB
ACT3L-84 x -CB		ACT3R-84 x -CB
ACT3L-96 x -CB		ACT3R-96 x -CB
ACT3L-120 x -CB		ACT3R-120 x -CB

NOTE:
WHEN ORDERING OR SPECIFYING A
UNDERSHELF FOR CLEAN DISH TABLE,
DELETE 'CB' FROM MODEL NUMBER, AND
ADD 'US' IN ITS PLACE.

EXAMPLE: MODEL # ACT2L-72-48US

AARON MANUFACTURING INC.