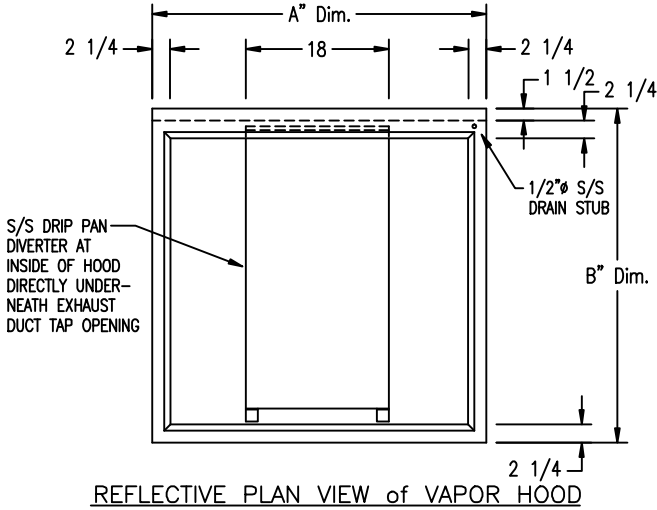


AARON MANUFACTURING INC.

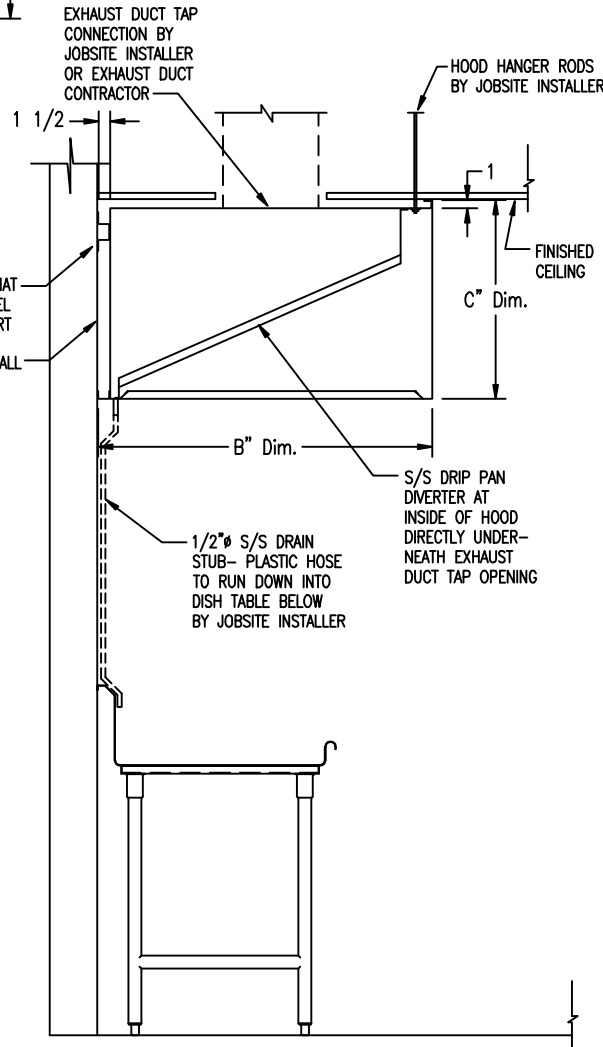
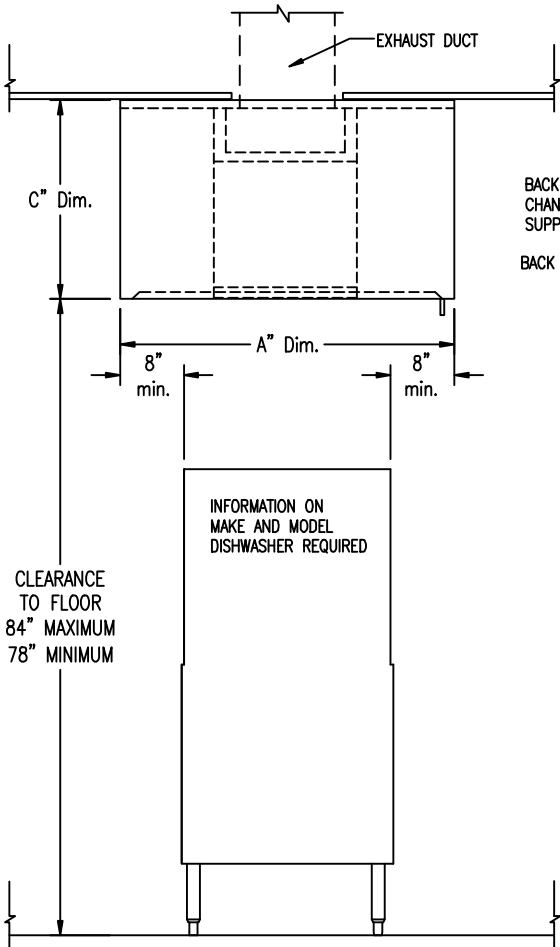
VAPOR HOOD FOR DISHWASHER

DATE: 8-17-04



MODEL # AVH VAPOR HOOD SPECIFICATIONS						
A" Dim.	B" Dim.	C" Dim.	weight	model #		
in.	mm	in.	mm	lbs.	kg.	
42"	1067	42"	1067	25"	635	100 45.4 AVH-424225
48"	1219	42"	1067	25"	635	120 54.4 AVH-484225
60"	1524	42"	1067	25"	635	149 67.6 AVH-604225
84"	2134	42"	1067	25"	635	171 77.6 AVH-844225
90"	2286	42"	1067	25"	635	185 83.9 AVH-904225

NOTE: HEIGHT OF HOOD CAN VARY.
PLEASE SPECIFY ON ORDER.



AARON MANUFACTURING INC.