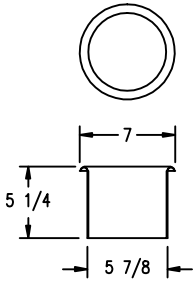


AARON MANUFACTURING INC.

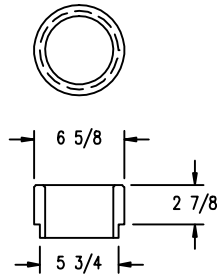
DISH TABLE ACCESSORIES

DATE: 8-17-04



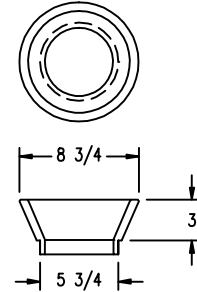
MA-19

16 GAUGE STAINLESS SCRAP CHUTE
(6" ϕ CUT-OUT REQUIRED)



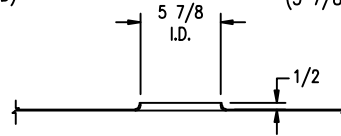
MA-33

STYLE 1
STRAIGHT TYPE HARD RUBBER SCRAP BLOCK
(5 7/8" ϕ HOLE REQUIRED)

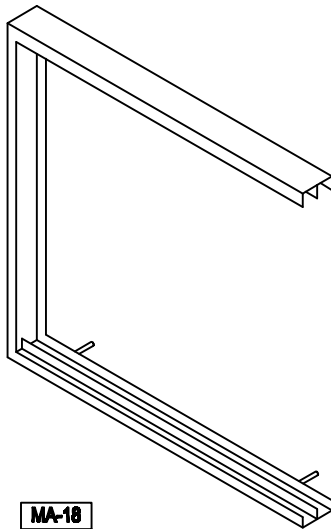


MA-53

STYLE 2
FUNNEL SHAPED HARD RUBBER SCRAP BLOCK
(5 7/8" ϕ HOLE REQUIRED)

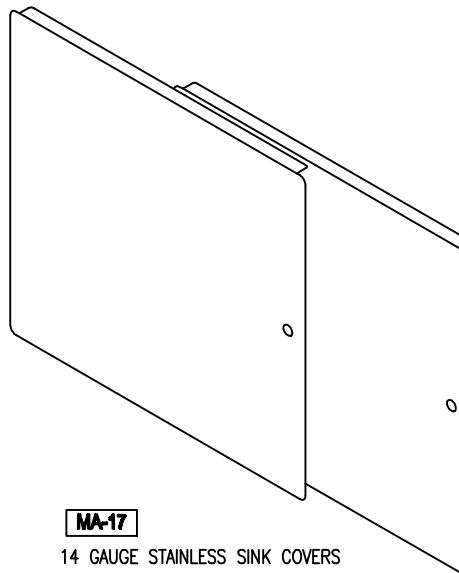


RECOMMENDED OPENING FOR
HARD RUBBER SCRAP BLOCKS



MA-18

14 GAUGE STAINLESS STORAGE
(VERTICAL MOUNT TYPE) FOR
SINK COVERS
STORAGE FOR A SINGLE, DOUBLE,
OR TRIPLE SINK COVERS AVAILABLE



MA-17

14 GAUGE STAINLESS SINK COVERS

AARON MANUFACTURING INC.