

AARON MANUFACTURING INC.

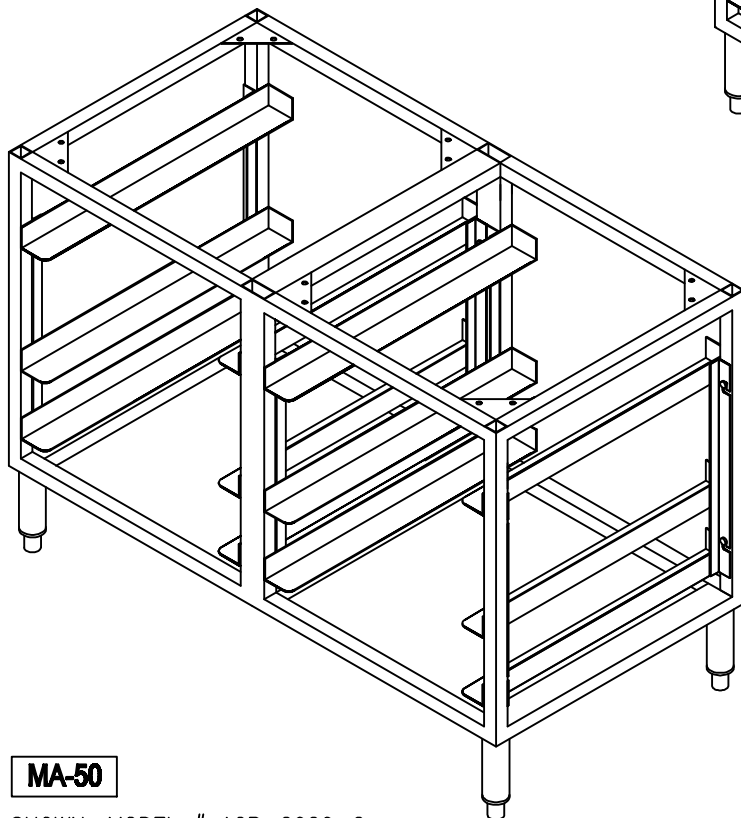
CUP AND GLASS RACK STORAGE

DATE: 8-17-04

STANDARD FEATURES

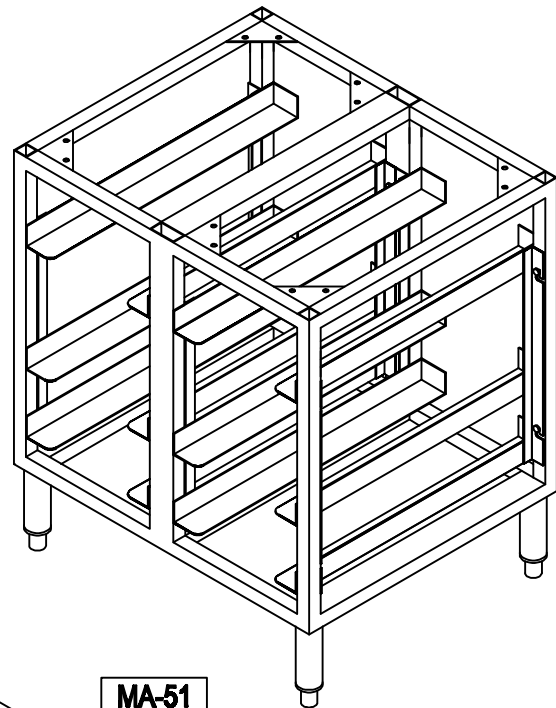
SPECIFICATION: Cup and glass rack storage consists of 1" x 1" and 1" x 2" 16 gauge stainless tubing construction, with 14 gauge stainless rack slide assembly (removable), 1 5/8" Ø 16 gauge stainless tubing legs with adjustable bullet feet. All fabrication per N.S.F. #2 standards. Contact Aaron Bid Department for specific pricing for modified units and accessories.

JOB NAME :	_____
LOCATION :	_____
ITEM #	_____
MODEL #	_____
QUANTITY :	_____



MA-50

SHOWN: MODEL # AGR-2020-2
FOR 20" x 20" GLASS AND CUP RACK STORAGE



MA-51

SHOWN: MODEL # AGR-1020-2
FOR 10" x 20" GLASS AND CUP RACK STORAGE

AARON MANUFACTURING INC.

324 S. DIAMOND BAR BLVD., SUITE 879, DIAMOND BAR, CA 91765 * (877) 202-2766 * FAX (800) 498-6655

E.5