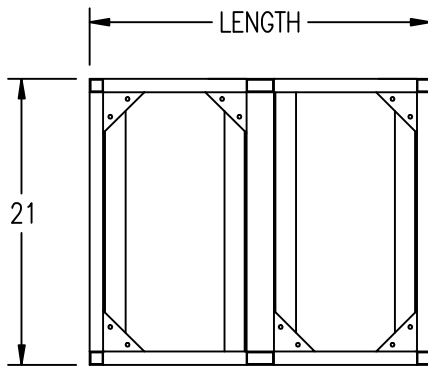


AARON MANUFACTURING INC.

CUP AND GLASS RACK STORAGE

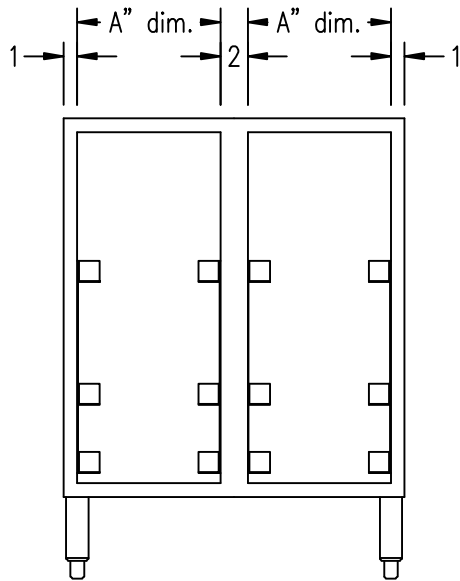
DATE: 8-17-04



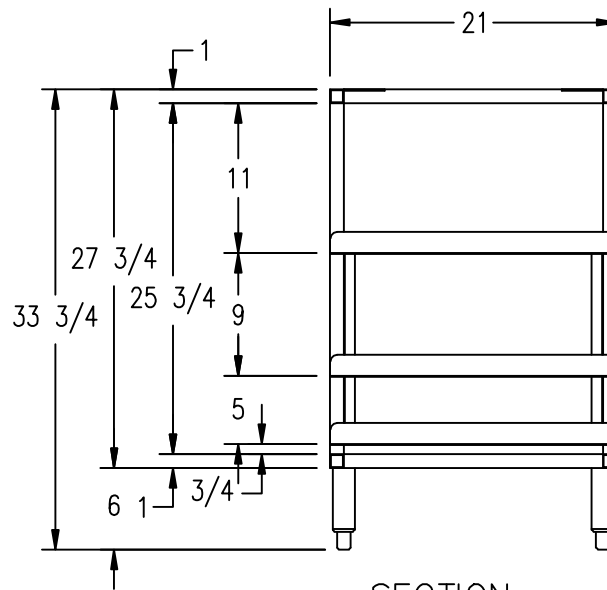
PLAN VIEW

SHOWN: MODEL # AGR-1020-2

NOTE: SPACING HEIGHTS FOR RACKS CAN VARY.
PLEASE SPECIFY IF CHANGING HEIGHTS ON ORDER.



ELEVATION VIEW



SECTION

| MODEL # AGR-1020 SERIES SPECIFICATIONS | | | | | | | | | |
|--|---------|------|---------|-----|-----------|--------|------|------------|--|
| sections | length | | A" dim. | | # of legs | weight | | model # | |
| | in. | mm | in. | mm | | lbs. | kg. | | |
| ONE | 12 1/2" | 318 | 10 1/2" | 267 | 4 | 40 | 18.1 | AGR-1020-1 | |
| TWO | 25" | 635 | 10 1/2" | 267 | 4 | 45 | 20.4 | AGR-1020-2 | |
| THREE | 37 1/2" | 953 | 10 1/2" | 267 | 4 | 50 | 22.7 | AGR-1020-3 | |
| FOUR | 50" | 1270 | 10 1/2" | 267 | 4 | 60 | 27.2 | AGR-1020-4 | |
| FIVE | 62 1/2" | 1588 | 10 1/2" | 267 | 4 | 70 | 31.8 | AGR-1020-5 | |
| SIX | 75" | 1905 | 10 1/2" | 267 | 4 | 80 | 31.8 | AGR-1020-8 | |

| MODEL # AGR-2020 SERIES SPECIFICATIONS | | | | | | | | | |
|--|---------|------|---------|-----|-----------|--------|------|------------|--|
| sections | length | | A" dim. | | # of legs | weight | | model # | |
| | in. | mm | in. | mm | | lbs. | kg. | | |
| ONE | 22 1/2" | 572 | 20 1/2" | 521 | 4 | 40 | 18.1 | AGR-2020-1 | |
| TWO | 45" | 1143 | 20 1/2" | 521 | 4 | 45 | 20.4 | AGR-2020-2 | |
| THREE | 67 1/2" | 1715 | 20 1/2" | 521 | 4 | 50 | 22.7 | AGR-2020-3 | |
| FOUR | 90" | 2286 | 20 1/2" | 521 | 4 | 60 | 27.2 | AGR-2020-4 | |

AARON MANUFACTURING INC.