

AARON MANUFACTURING INC.

SORTING RACK SHELVING OVER SOILED DISH TABLES

DATE: 8-17-04

STANDARD FEATURES

SPECIFICATION: Sorting dish rack shelf assemblies are 14 gauge stainless steel all welded construction, with 14 gauge stainless steel hat channels underneath. Reinforcement is tack welded in place, along with threaded rivet studs and stainless acorn nuts.

14 gauge stainless steel brackets for wall mount sorting rack shelves.

1 5/8"Ø 16 gauge stainless steel tubing for upper center rack rest.

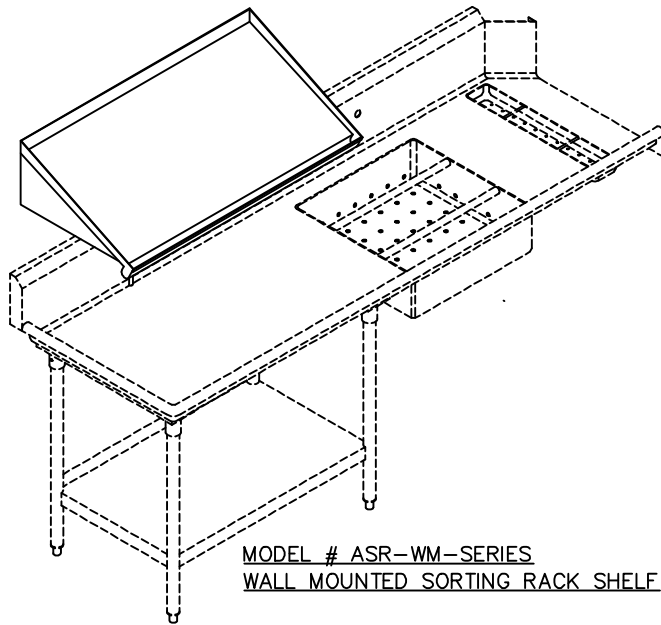
1"Ø 16 gauge stainless steel tubing end supports at open end of soiled dish table.

Economy series available: 16 gauge stainless sorting rack shelves and reinforcement.

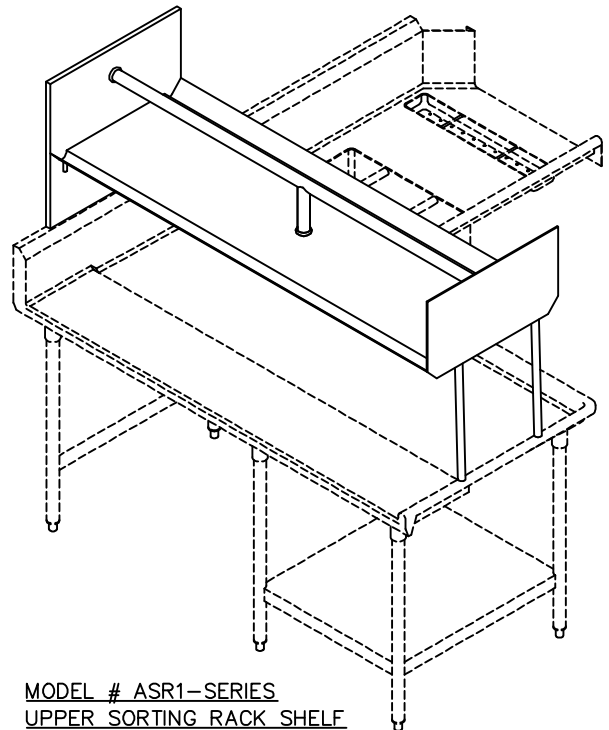
All fabrication per N.S.F. #2 standards.

Contact Aaron Bid Department for specific pricing for modified units and accessories.

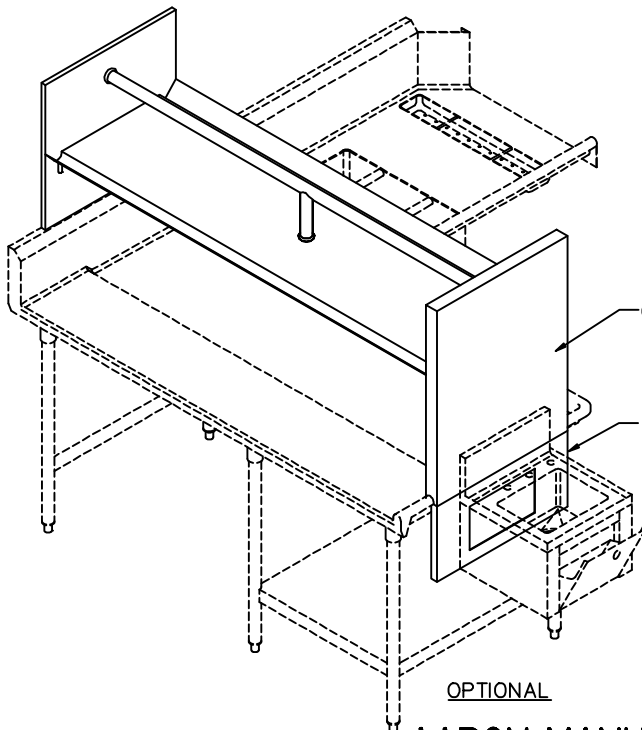
JOB NAME :	_____
LOCATION :	_____
ITEM #	_____
MODEL #	_____
QUANTITY :	_____



MODEL # ASR-WM-SERIES
WALL MOUNTED SORTING RACK SHELF



MODEL # ASR1-SERIES
UPPER SORTING RACK SHELF
LEFT TO RIGHT OPERATION



OPTIONAL

OPTIONS AND ACCESSORIES

- | MODEL # | DESCRIPTION |
|--------------------------------|--|
| <input type="checkbox"/> MA-85 | SOLID DOUBLE END PARTITION
(In lieu of tubing end supports) |
| <input type="checkbox"/> MA-86 | ALL TUBING FRAME SORTING RACK |

AARON MANUFACTURING INC.