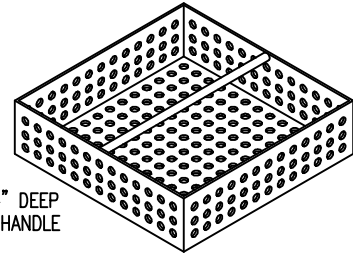


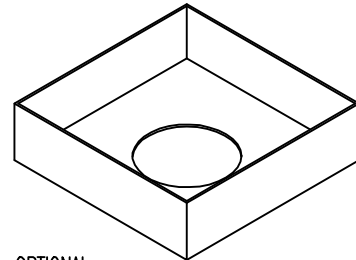
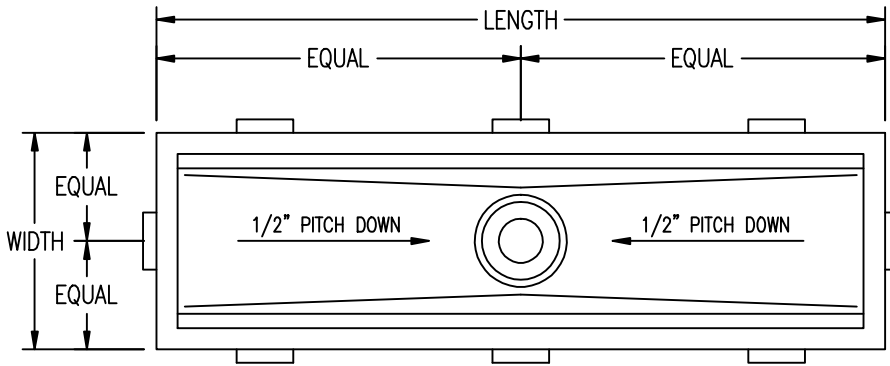
AARON MANUFACTURING INC.

DATE: 6-17-04

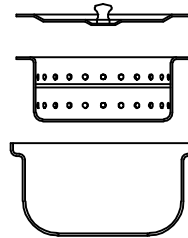
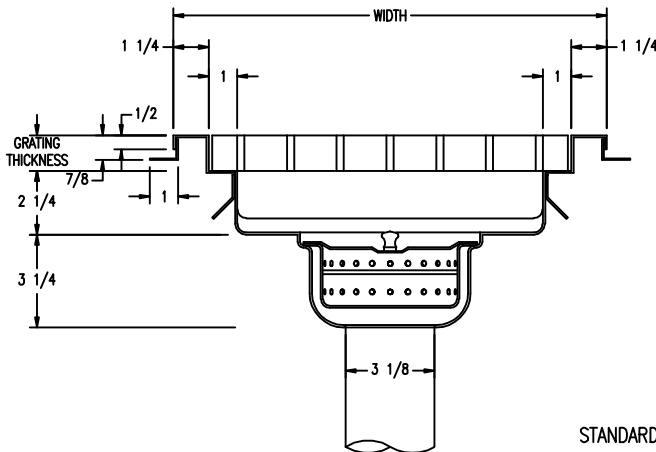
FLOOR TROUGHS MODEL # AFT SERIES



REMOVABLE 6 3/4" x 6 3/4" x 2 1/4" DEEP
PERFORATED BASKET WITH S/S ROD HANDLE



OPTIONAL:
CUSTOM 7" x 7" x 2 1/2" DEEP
S/S SCRAP CATCH DRAIN PAN
WITH A PERFORATED BASKET (REMOV.)
VERIFY DRAIN CONNECTION



STANDARD SCRAP CATCH PAN AND BASKET ASSEMBLY

MODEL # AFT- SERIES FLOOR TROUGH SPECIFICATIONS

12" (305 mm) WIDE TROUGH		15" (381 mm) WIDE TROUGH		18" (457 mm) WIDE TROUGH		24" (610 mm) WIDE TROUGH	
trough length in.	model # mm	trough length in.	model # mm	trough length in.	model # mm	trough length in.	model # mm
18"	457 AFT-1218	18"	457 AFT-1518	18"	457 AFT-1818		
24"	610 AFT-1224	24"	610 AFT-1524	24"	610 AFT-1824	24"	610 AFT-2424
36"	914 AFT-1236	36"	914 AFT-1536	36"	914 AFT-1836	36"	914 AFT-2436
48"	1219 AFT-1248	48"	1219 AFT-1548	48"	1219 AFT-1848	48"	1219 AFT-2448
60"	1524 AFT-1260	60"	1524 AFT-1560	60"	1524 AFT-1860	60"	1524 AFT-2460
72"	1829 AFT-1272	72"	1829 AFT-1572	72"	1829 AFT-1872	72"	1829 AFT-2472
84"	2134 AFT-1284	84"	2134 AFT-1584	84"	2134 AFT-1884	84"	2134 AFT-2484
96"	2438 AFT-1296	96"	2438 AFT-1596	96"	2438 AFT-1896	96"	2438 AFT-2496
120"	3048 AFT-12120	120"	3048 AFT-15120	120"	3048 AFT-18120	120"	3048 AFT-24120

AARON MANUFACTURING INC.