

# AARON MANUFACTURING INC.

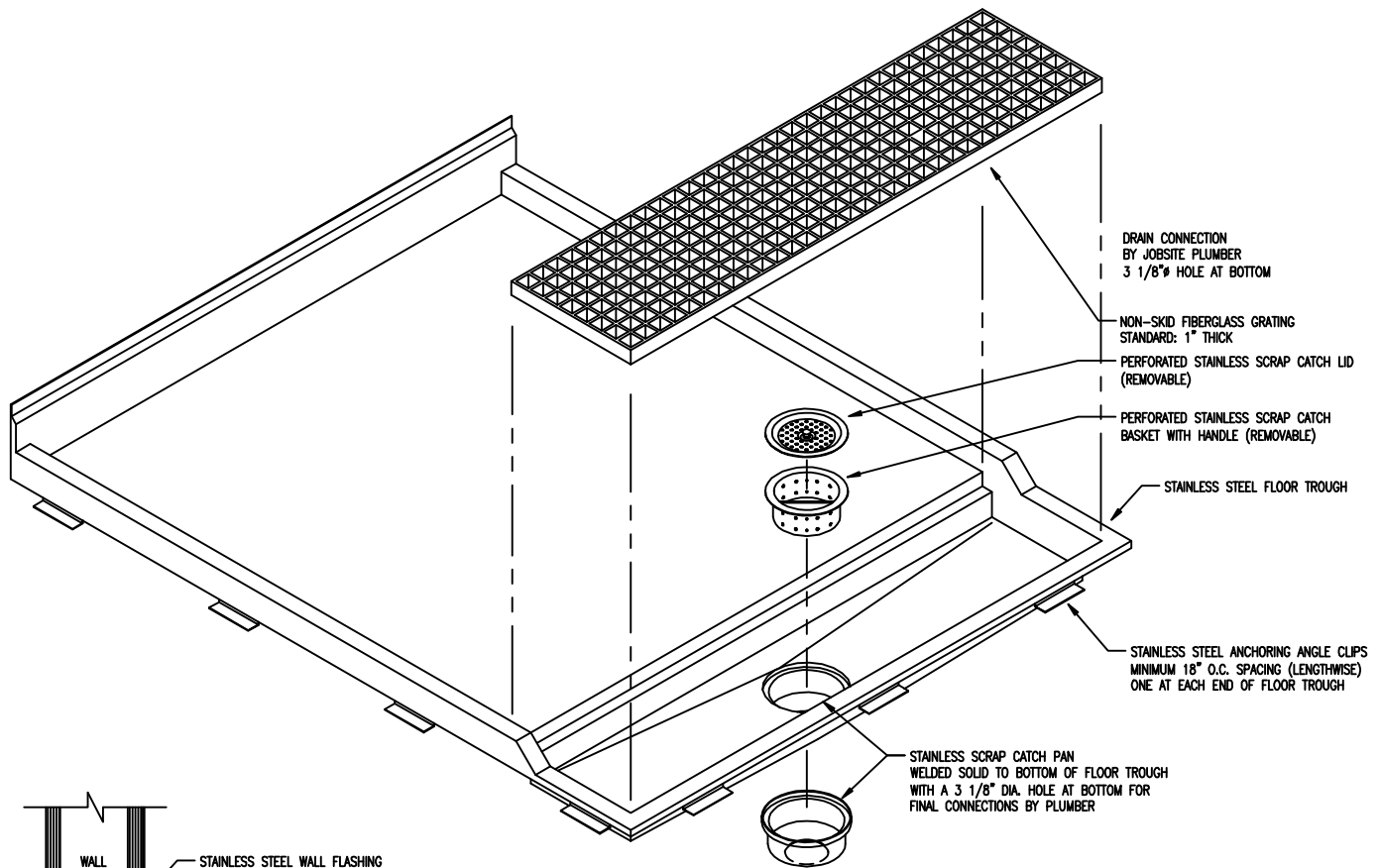
## FLOOR PAN TROUGHS MODEL # AFPT SERIES

DATE: 8-17-84

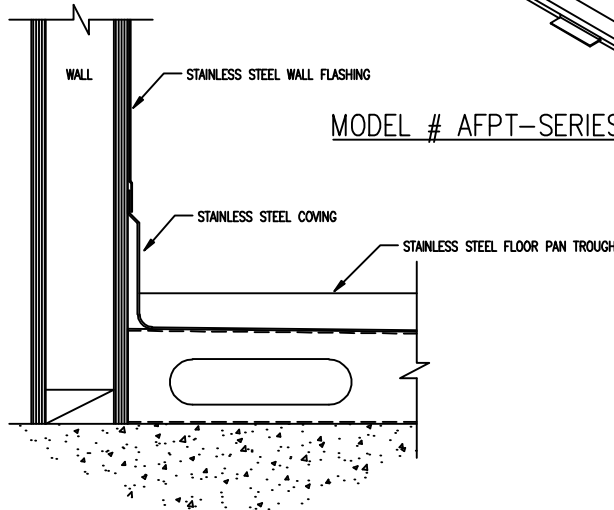
### STANDARD FEATURES

**SPECIFICATION:** Floor pan troughs are 14 gauge stainless steel all welded construction, with 14 gauge stainless steel anchoring angles and channel spacers underneath. Floor pan pitches down 1/2" into floor troughs.  
 All troughs with a scrap catch basket assembly at the bottom. Scrap catch basket assembly has a 3-1/8" diameter hole at the bottom for drain connection by jobsite plumber. All floor trough bottoms pitch down into scrap catch basket assembly.  
 All floor troughs complete with a non-skid fiberglass grating.  
 (Optional stainless steel grating available)  
 Economy series available: 16 gauge floor trough construction  
 All fabrication per N.S.F. #2 standards.  
 Contact Aaron Bid Department for specific pricing on modified units and accessories.

JOB NAME : \_\_\_\_\_  
 LOCATION : \_\_\_\_\_  
 ITEM # \_\_\_\_\_  
 MODEL # \_\_\_\_\_  
 QUANTITY : \_\_\_\_\_



MODEL # AFPT-SERIES FLOOR PAN TROUGH



### OPTIONS AND ACCESSORIES

- | MODEL #                        | DESCRIPTION  |
|--------------------------------|--|
| <input type="checkbox"/> MA-85 | CUSTOM FLOOR TROUGH SIZE<br>VERIFY LENGTH _____ DEPTH _____  |
| <input type="checkbox"/> MA-86 | FIBERGLASS GRATING THICKNESS<br><input type="checkbox"/> 1" (standard) <input type="checkbox"/> 1 1/4" <input type="checkbox"/> 1 1/2" <input type="checkbox"/> 2" |
| <input type="checkbox"/> MA-87 | STAINLESS STEEL GRATING  |
| <input type="checkbox"/> MA-88 | CUSTOM STAINLESS STEEL SCRAP CATCH BASKET ASSY<br>2" DEEP (IN LIEU OF 3 1/4")  |
| <input type="checkbox"/> MA-89 | 6" END WALL COVING ( CORNER WALL MOUNT )<br><input type="checkbox"/> Left end wall <input type="checkbox"/> Right end wall   |
| <input type="checkbox"/> MA-90 | STAINLESS STEEL WALL FLASHING  |

AARON MANUFACTURING INC.