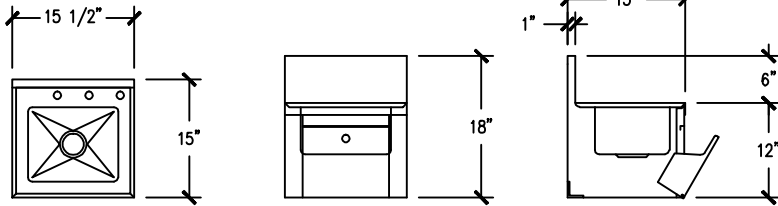


# AARON MANUFACTURING INC.

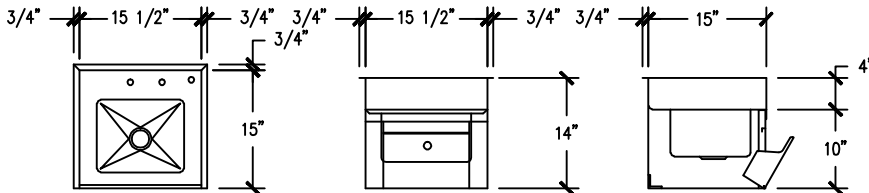
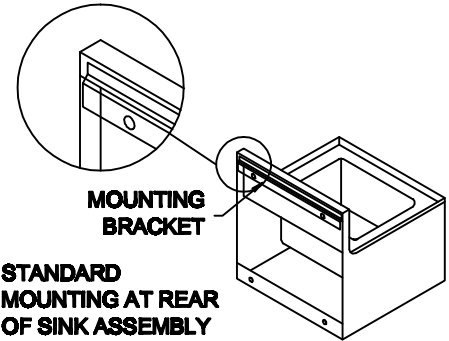
DATE: 8-17-04

## HAND SINK MODEL SERIES UBHSW/UBHSD



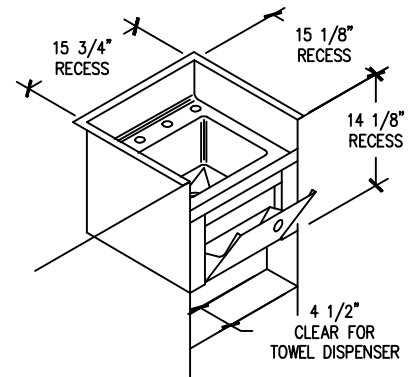
**PLAN VIEW    FRONT ELEVATION    SECTION**

MODEL NUMBER	DESCRIPTION
UBHSW-1516	WALL MOUNTED HAND SINK

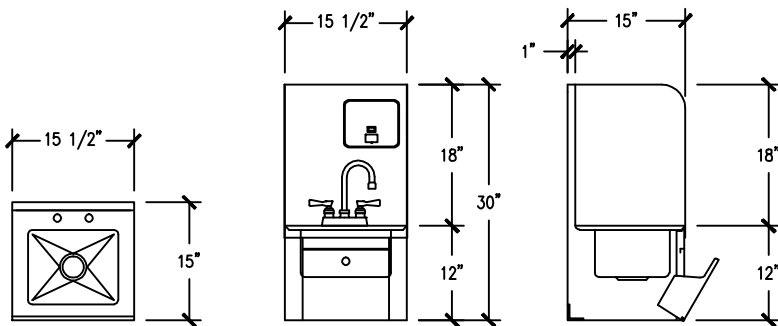


**PLAN VIEW    FRONT ELEVATION    SECTION**

MODEL NUMBER	DESCRIPTION
UBHSD-1516	DROP IN HAND SINK



**MOUNTING DETAIL  
FOR DROP IN SINK**



**PLAN VIEW    FRONT ELEVATION    SECTION**

MODEL NUMBER	DESCRIPTION
UBHSW-1516LV	WALL MOUNTED HAND SINK

**PLUMBING SPECIFICATION**

1" DIA. X 4" INDIRECT INSULATED DRAIN REQUIRED  
1/2" COLD AND HOT WATER CONNECTION

**ELECTRICAL SPECIFICATION**

ELECTRONIC ACTIVATED INFERRED FAUCET  
120V/60CYC/1PH

LENGTH		DEPTH		MODEL NO.	WEIGHT		CUBIC FEET
IN.	MM.	IN.	MM.		LBS	KG	
15-1/2	393.7	15	381	UBHSW-1516	20	9	3
15-1/2	393.7	15	381	UBHSD-1516	20	9	3
15-1/2	393.7	15	381	UBHSD-1516LV	25	12	4