

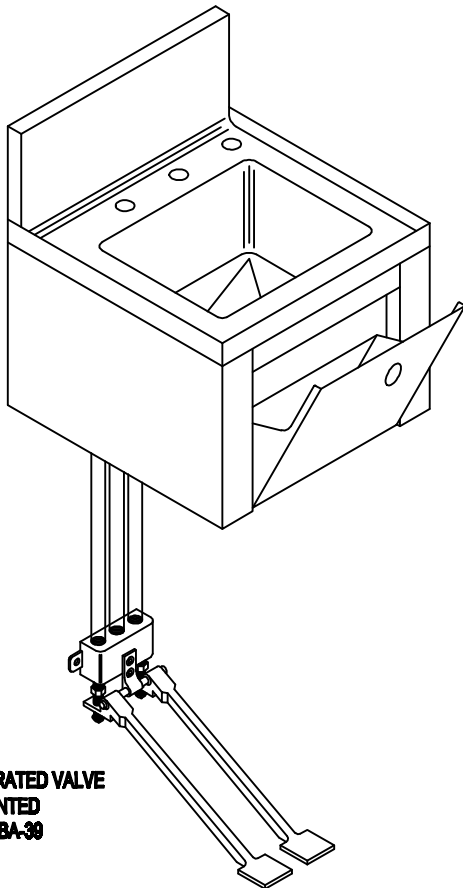
# AARON MANUFACTURING INC.

## HAND SINK ACCESSORIES

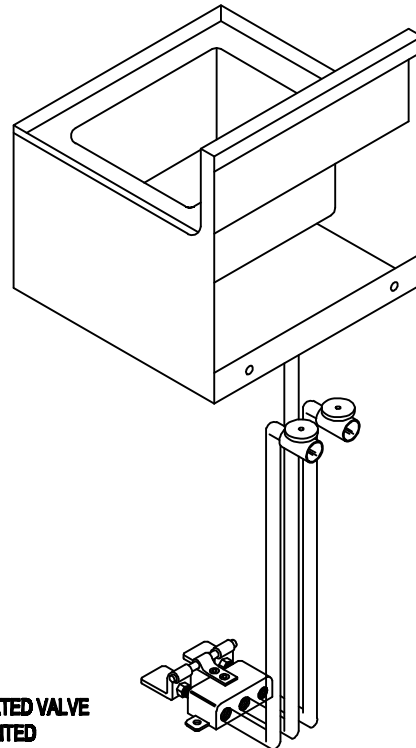
PROJECT NAME \_\_\_\_\_

LOCATION \_\_\_\_\_

ITEM NUMBER \_\_\_\_\_



FOOT OPERATED VALVE  
WALL MOUNTED  
ITEM NO. UBA-39



FOOT OPERATED VALVE  
FLOOR MOUNTED  
ITEM NO. UBA-40

### STANDARD FEATURES

SPECIFICATION: Constructed of 18 gauge stainless steel.

### OPTIONAL ACCESSORIES

- KNIFE BRACKET
- CANTILEVER BRACKET
- ELECTRONIC EYE FAUCET (115V) IN LIEU OF STANDARD EYE FAUCET
- END SPLASH
  - LEFT     RIGHT
- FAUCET (4" O.C. MOUNTING)
- 2" WASTE WITH STRAINER BASKET (3-1/2" Ø HOLE)
- 2" WASTE
- SOAP DISPENSER
- END SPLASH ADDITIONS
- MIXING VALVE
- FOOT OPERATED VALVE, WALL MOUNTED
- FOOT OPERATED VALVE, FLOOR MOUNTED
- 4" WRIST BLADE HANDLES (HANDICAP)
- 6" GOOSENECK SWING SPOUT
- EYE WASH SPRAY ATTACHMENT
- STANDARD SWING SPOUT