

AARON MANUFACTURING INC.

MOP SINK AND JANITOR'S CABINET WITH MOP SINK

DATE: 8-17-04

STANDARD FEATURES

SPECIFICATION: Janitor's cabinet constructed of 16 gauge stainless steel, with a 16"x21"x 8 1/2" deep 14 gauge stainless steel all welded mop sink, and 14 gauge stainless steel channel reinforcement. Marine edge at mop sink deck.
18 gauge stainless steel lift-off access panel in front of mop sink for plumbing connections.

Upper storage shelf is 16 gauge stainless steel.

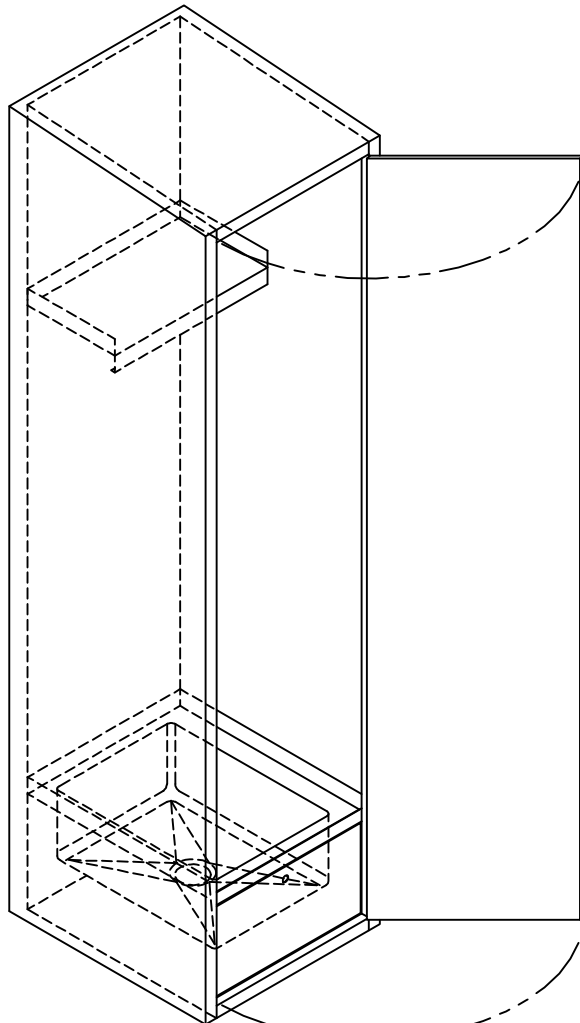
Double paneled door is 18 gauge stainless steel with fiberglass insulation inbetween. Door with stainless steel piano hinges (full door height), stainless door pull handle, and heavy duty ball type door catch.

Optional 14 gauge stainless or galvanized steel curb available.

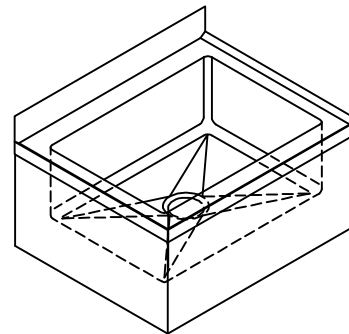
All fabrication per N.S.F. #2 standards.

Contact Aaron Bid Department for specific pricing for modified units and accessories.

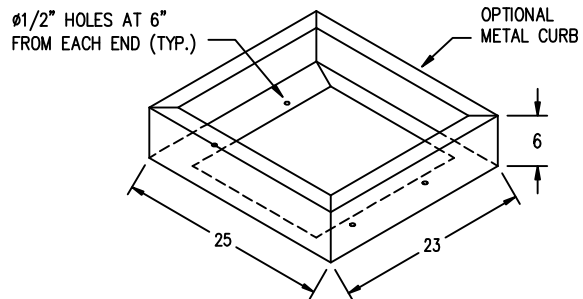
JOB NAME : _____
 LOCATION : _____
 ITEM # _____
 MODEL # _____
 QUANTITY : _____



MODEL #AJC SERIES
 JANITOR'S CABINET WITH MOP SINK



MODEL #AMS SERIES
 MOP SINK



OPTIONAL METAL CURB
 FOR JANITOR'S CABINET

OPTIONS AND ACCESSORIES

- | MODEL # | DESCRIPTION |
|--------------------------------|--|
| <input type="checkbox"/> MA-70 | SPLASH MOUNTED HOSE BIBB FAUCET (8" o.c. mounting)
FISHER MFG. MODEL # 8253 |
| <input type="checkbox"/> MA-71 | DRAIN ASSEMBLY
<input type="checkbox"/> 2" WASTE WITH STRAINER BASKET (3-1/2" HOLE)
<input type="checkbox"/> 2" WASTE WITH FLAT STRAINER (3-1/2" HOLE) |
| <input type="checkbox"/> MA-72 | S/S SINK COVER (Per sink size) |
| <input type="checkbox"/> MA-73 | S/S MOP HOLDER BRACKET
<input type="checkbox"/> THREE HOLDER TYPE <input type="checkbox"/> TWO HOLDER TYPE |
| <input type="checkbox"/> MA-74 | S/S HOSE BRACKET |
| <input type="checkbox"/> MA-75 | METAL CURB
<input type="checkbox"/> STAINLESS <input type="checkbox"/> GALVANIZED |
| <input type="checkbox"/> MA-76 | CUSTOM JANITOR'S CABINET (VERIFY o.s. DIMENSIONS) |
| <input type="checkbox"/> MA-77 | CUSTOM MOP SINK (VERIFY o.s. DIMENSIONS) |

AARON MANUFACTURING INC.

324 S. DIAMOND BAR BLVD., SUITE 879, DIAMOND BAR, CA 91765 * (877) 202-2766 * FAX (800) 498-6655