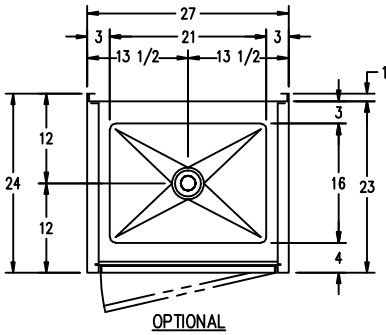


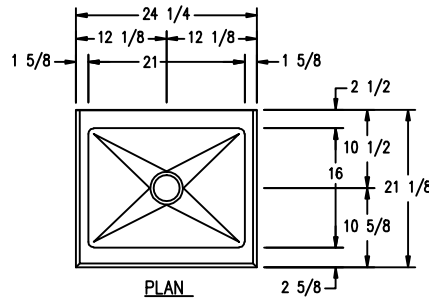
AARON MANUFACTURING INC.

DATE: 8-17-04

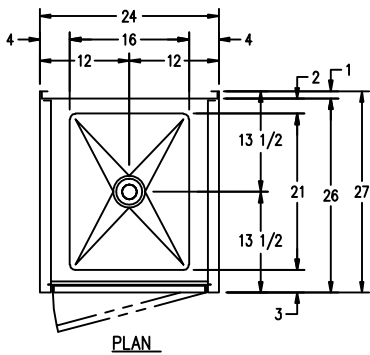
MOP SINK AND JANITOR'S CABINET WITH MOP SINK



OPTIONAL



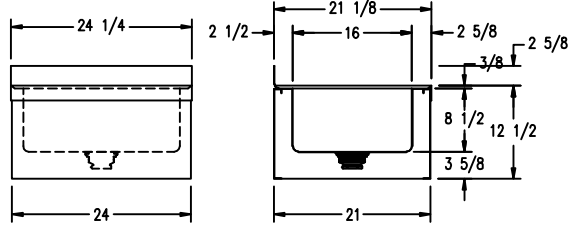
PLAN



PLAN

MODEL #AJC SERIES

JANITOR'S CABINET WITH MOP SINK



ELEVATION

SECTION

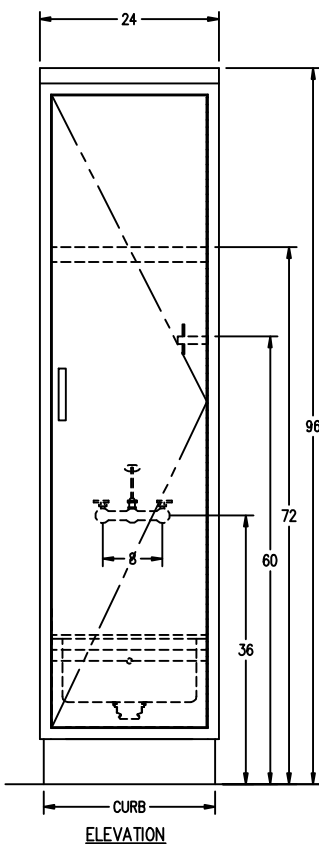
MODEL #AMS SERIES MOP SINK

DRAIN ASSEMBLY

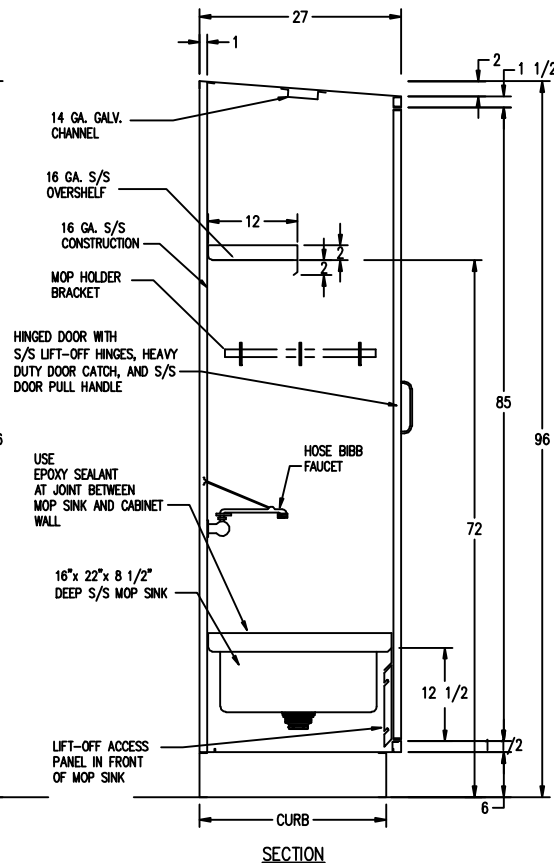
Ø 2" COUPLING
W/ INTERNAL
THREAD
BY PLUMBER

Ø 2" PIPE
W/ EXTERNAL
THREAD
BY PLUMBER

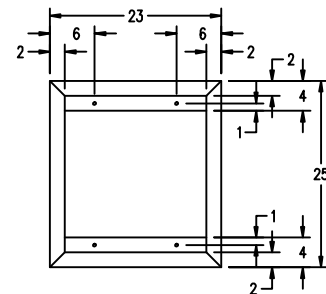
TYPICAL DRAIN CONNECTION
AT MOP SINK



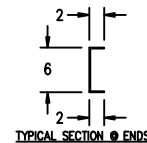
ELEVATION



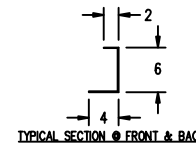
SECTION



OPTIONAL METAL CURB
FOR JANITOR'S CABINET



TYPICAL SECTION @ ENDS



TYPICAL SECTION @ FRONT & BACK

AARON MANUFACTURING INC.