

AARON MANUFACTURING INC.

MAT WASH ENCLOSURE MODEL # AMW SERIES

DATE: 8-17-04

STANDARD FEATURES

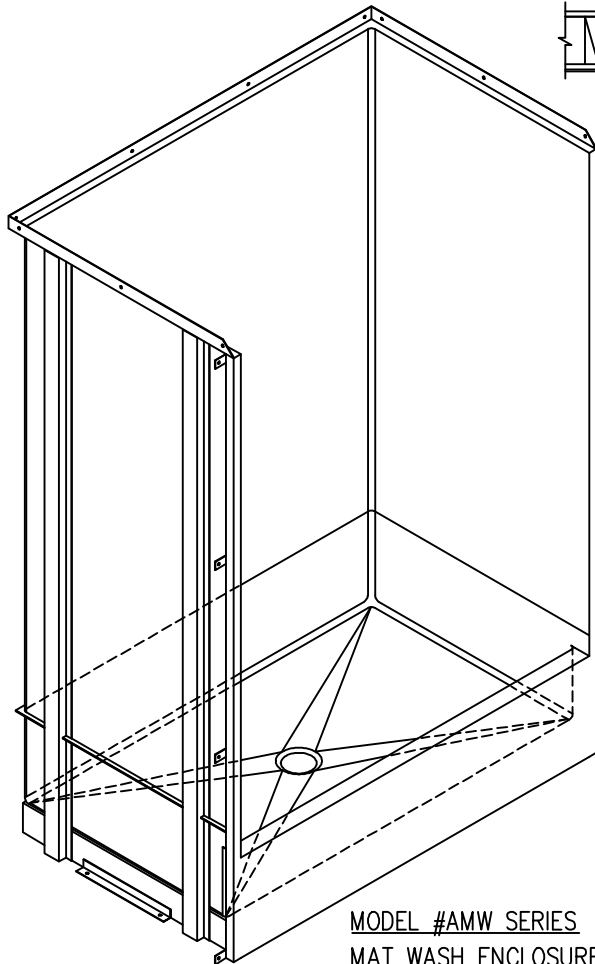
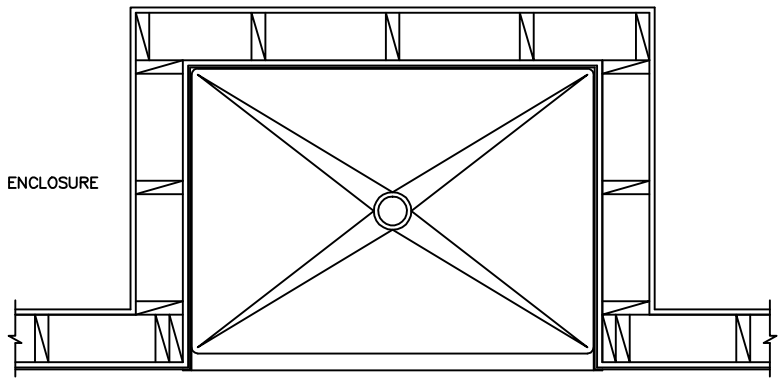
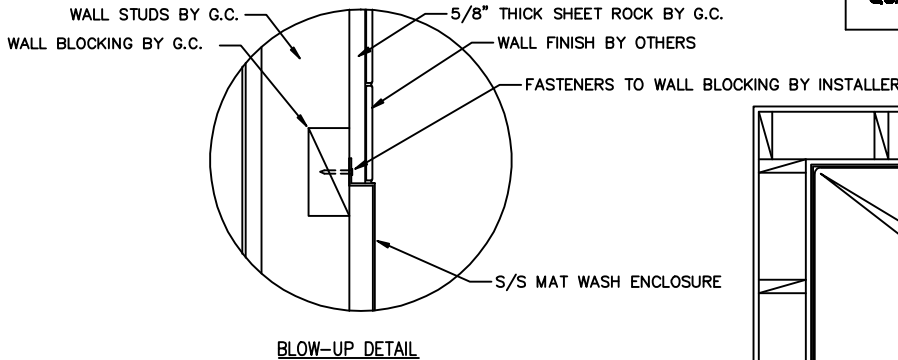
SPECIFICATION: Mat wash enclosure is constructed of 16 gauge stainless steel, with a 8 1/2" deep 14 gauge stainless steel all welded sink, and 14 gauge stainless steel channel reinforcement.

Economy series available: 18 gauge stainless steel upper enclosure, 16 gauge stainless steel sink and reinforcement.

All fabrication per N.S.F. #2 standards.

Contact Aaron Bid Department for specific pricing for modified units and accessories.

JOB NAME : _____
 LOCATION : _____
 ITEM # _____
 MODEL # _____
 QUANTITY : _____



OPTIONS AND ACCESSORIES

- | MODEL # | DESCRIPTION |
|--------------------------------|---|
| <input type="checkbox"/> MA-70 | SPLASH MOUNTED HOSE BIBB FAUCET
FISHER MFG. MODEL # 8253 (8" o.c. mounting) |
| <input type="checkbox"/> MA-71 | DRAIN ASSEMBLY |
| <input type="checkbox"/> MA-73 | S/S MOP HOLDER BRACKET
<input type="checkbox"/> THREE HOLDER TYPE <input type="checkbox"/> TWO HOLDER TYPE |
| <input type="checkbox"/> MA-74 | S/S HOSE BRACKET |
| <input type="checkbox"/> MA-78 | FLOOR MAT HANGING BRACKET |
| <input type="checkbox"/> AWS | WALL MOUNTED STORAGE SHELF |
| <input type="checkbox"/> AWC | WALL MOUNTED STORAGE CABINET |

AARON MANUFACTURING INC.